

# Delta Series

## OPERATING MANUAL AND USER GUIDE

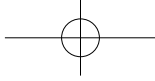
Delta-12 Delta-15 Delta-12M Delta-15M  
Delta-215 Delta-15B Delta-18B Delta-218B



[www.wharfedalepro.com](http://www.wharfedalepro.com)

## IMPORTANT WARNINGS & SAFETY INSTRUCTIONS

1. READ ALL INSTRUCTIONS – carefully and become familiar with the features and functions of these products before operating them.
2. RETAIN THESE INSTRUCTIONS – for future reference.
3. COMPLY WITH ALL WARNINGS – All warnings and instructions for this product should be adhered to.
4. USE WITH AMPLIFIERS – In order to avoid damage to drivers and other equipment, it is advisable to establish and follow a routine for powering up and powering down a sound system. With all system components connected, turn on source equipment (mixers, signal processors, record and playback units, etc.) BEFORE powering up amplifiers. Transient voltages from powering up source equipment can damage speakers if amplifiers are already turned on. Make sure that amplifier volumes are set to their minimum settings and power up any system amplifiers LAST. It is recommended that all system components be allowed to stabilize for several seconds before any source signals are introduced or level setting adjustments are made. Similarly, when shutting systems down, turn all amplifiers off first, before powering down any other system components.
5. CABLES – Do not use shielded or microphone cables for connection between amplifiers and speakers. Use only approved speaker cables with proper connectors.
6. CAUTION – These professional loudspeaker systems are capable of generating very high sound pressure levels. Use care with placement and operation to avoid exposure to excessive volume levels. Permanent hearing damage can result when operated to extreme levels.
7. SERVICE – There are no user serviceable parts inside this product. Users should not attempt to service this product. Warranty nullification could result if this is attempted.
8. RIGGING - SUSPENDING - MOUNTING - Rigging suspending or mounting of speaker systems can expose members of the public to serious health risks and even death.  
**UNDER NO CIRCUMSTANCES ATTEMPT TO RIG, SUSPEND OR OTHERWISE MOUNT THESE SPEAKERS UNLESS YOU ARE FULLY QUALIFIED AND CERTIFIED TO DO SO BY RELEVANT LOCAL, STATE AND NATIONAL AUTHORITIES. ALL RELEVANT SAFETY REGULATIONS MUST BE FOLLOWED. IF YOU ARE NOT PROPERLY QUALIFIED OR DO NOT KNOW OF PERTINENT REGULATIONS, CONSULT QUALIFIED PERSONNEL FOR ADVICE.**



# Delta Series

---

## TABLE OF CONTENTS

<b>Important Warnings &amp; Safety Instructions.....</b>	<b>1</b>
<b>Introduction.....</b>	<b>3</b>
<b>Models/Features .....</b>	<b>4</b>
<b>Installation.....</b>	<b>5</b>
<b>Delta 12/12M/15/15M/215 Bi-Amp Wiring .....</b>	<b>6</b>
<b>Delta 12/12M/15/15M/215 Fullrange Wiring .....</b>	<b>7</b>
<b>Delta 15B/18B Fullrange Wiring .....</b>	<b>8</b>
<b>Delta 15B/18B Bi-Amp Wiring.....</b>	<b>9</b>
<b>Delta Series Suggested Network Settings .....</b>	<b>10</b>
<b>Rigging/Suspending .....</b>	<b>11</b>
<b>Block/Wiring Diagrams .....</b>	<b>12</b>
<b>Dimensional Drawings .....</b>	<b>19</b>
<b>Specifications .....</b>	<b>23</b>
<b>Warranty .....</b>	<b>26</b>

## INTRODUCTION

Wharfedale Pro Delta Series loudspeakers are the result of many years of experience in the use, design and manufacture of professional loudspeaker products. We take great pride in engineering and building every Wharfedale Pro loudspeaker and would like to thank you for entrusting us with your sound.

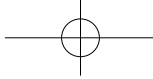
The new Delta Series builds on the solid reputation of its predecessors the LX and DLX Series, both huge successes on a global scale.

The Delta Series has been designed to deliver excellent performance, build quality and reliability in a format that is suitable for both fixed installations and touring applications.

High output, low distortion cast frame woofers with 3" voice coils are used in all full-range models; 2" titanium compression drivers are coupled to 90°x45° elliptical waveguides for smooth dispersion. All subwoofers use 4" voice coils.

Comprehensive rigging points are provided for use in flown applications, so Delta is equally at home in a wide variety of fixed installation and touring applications. Rhino Rock™, our new texturised composite finish is used in all models. This new finish combines the great look of a painted finish with the durability of a carpet covered enclosure, giving you the best of both worlds. In addition Rhino Rock™ helps to reduce cabinet resonances and improve sound quality. The Delta Series is constructed with internally braced plywood and features dual angle pole mounts to ensure that your sound is aimed directly at the audience.

All components are designed in house and built from the ground up in Wharfedale's own vertically integrated factory, providing the consumer with world class performance and unparalleled value.



## Delta Series

---

### MODELS

- ◆ Delta 12 - Passive Loudspeaker
- ◆ Delta 12M - Passive Stage Monitor
- ◆ Delta 15 - Passive Loudspeaker
- ◆ Delta 15M - Passive Stage Monitor
- ◆ Delta 215 - Passive Loudspeaker
- ◆ Delta 15B - Passive Subwoofer
- ◆ Delta 18B - Passive Subwoofer
- ◆ Delta 218B - Passive Dual Chamber Subwoofer

### FEATURES

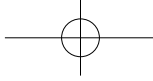
- ◆ High power, low distortion cast frame woofers
- ◆ 1.4" exit, 2" titanium diaphragm compression drivers
- ◆ Externally switchable fullrange/bi-amp operation
- ◆ Externally switchable discrete/parallel operation (218B only)
- ◆ 90°x45° elliptical waveguides
- ◆ Dual angle pole mount receptacles
- ◆ Plywood construction with internal bracing
- ◆ 4-way high impact plastic carry handles
- ◆ Rhino Rock™ texturised composite finish
- ◆ Parallel Speakon inputs
- ◆ Through outputs on "M" models
- ◆ High-pass outputs on 15B and 18B

## INSTALLATION

- Before attempting to install a Delta Series loudspeaker system please refer to the important warnings and safety instructions. Only qualified personnel should install a loudspeaker system.

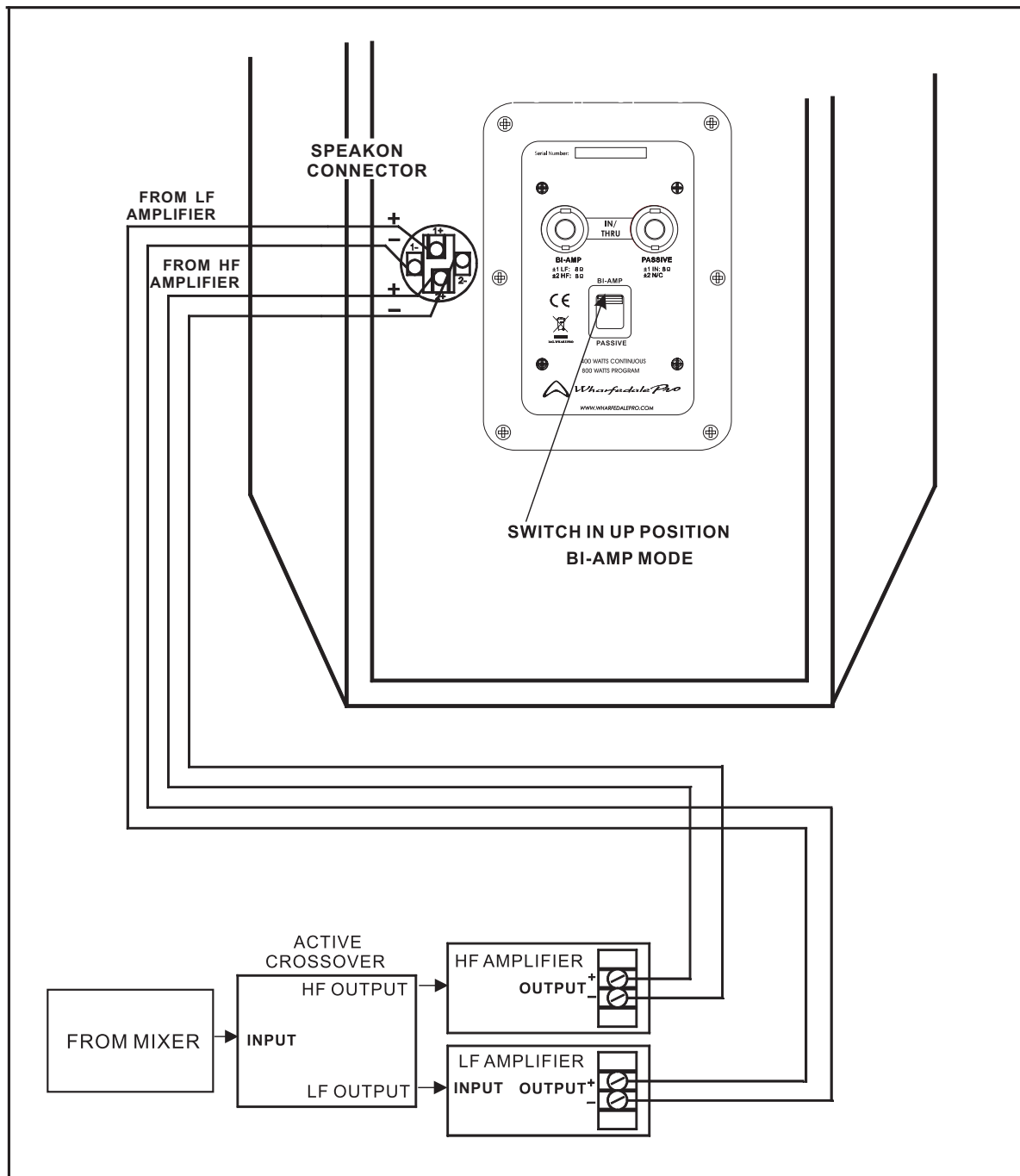
**Improper installation of a loudspeaker system can cause serious harm and even death if correct procedure is not followed. Anyone attempting installation assumes all liability arising from such use.**

- Bi-amp switching - ensure that the internal passive network selector is in the correct position. When using an external active network select the bi-amp setting. Failure to do this can result in damage to the drivers of your Delta Series loudspeakers.
- Models with dual angle pole mount sockets (Delta 12 and Delta 15) have an angled socket that angles the cabinet down by 10°. This allows more sound to be aimed directly at the audience and less at the ceiling, reducing early reflections. Please ensure that the correct socket is used for each speaker.

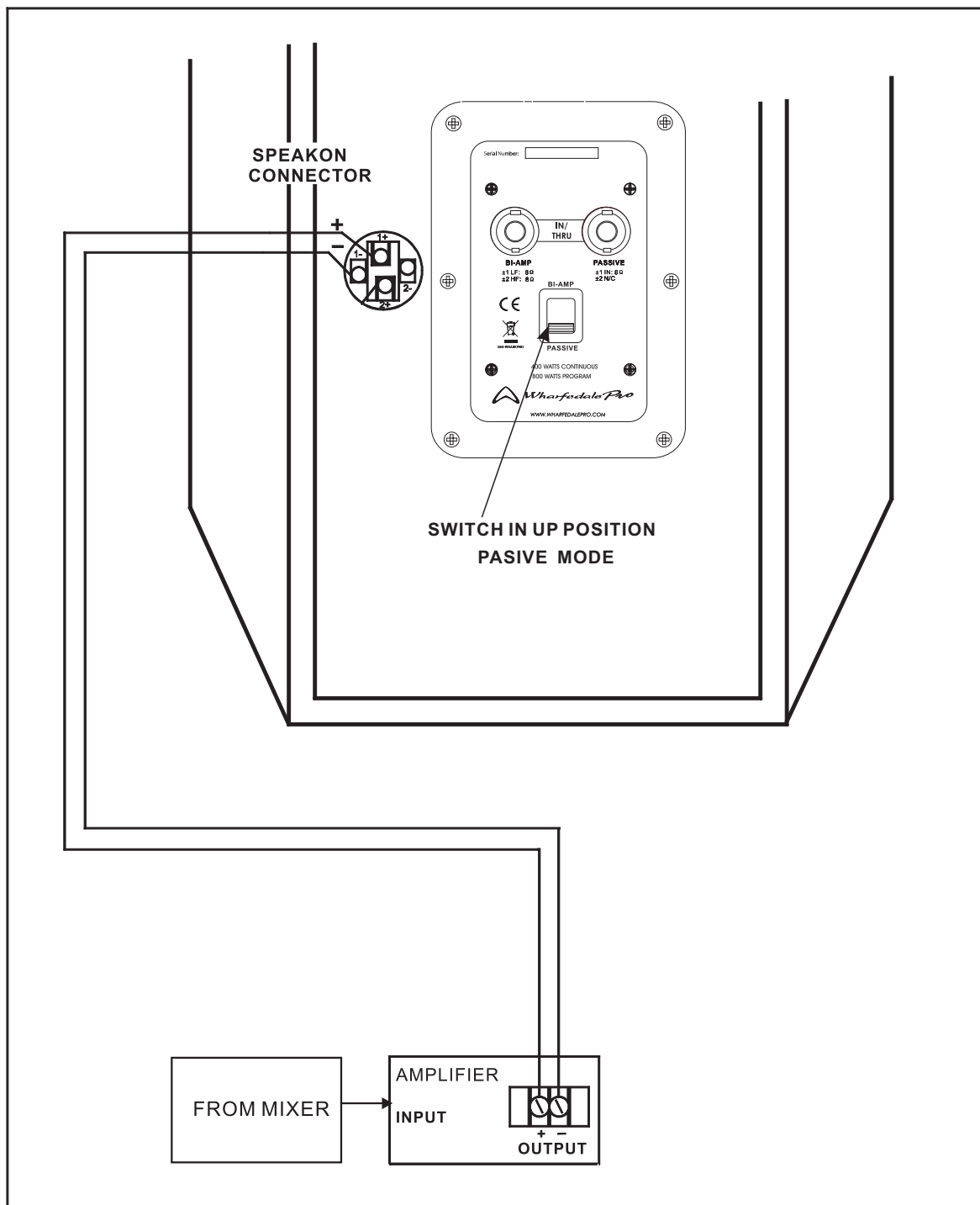


# Delta Series

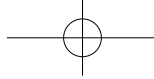
## DELTA 12/12M/15/15M/215 BI-AMP WIRING



# DELTA 12/12M/15/15M/215 FULLRANGE WIRING

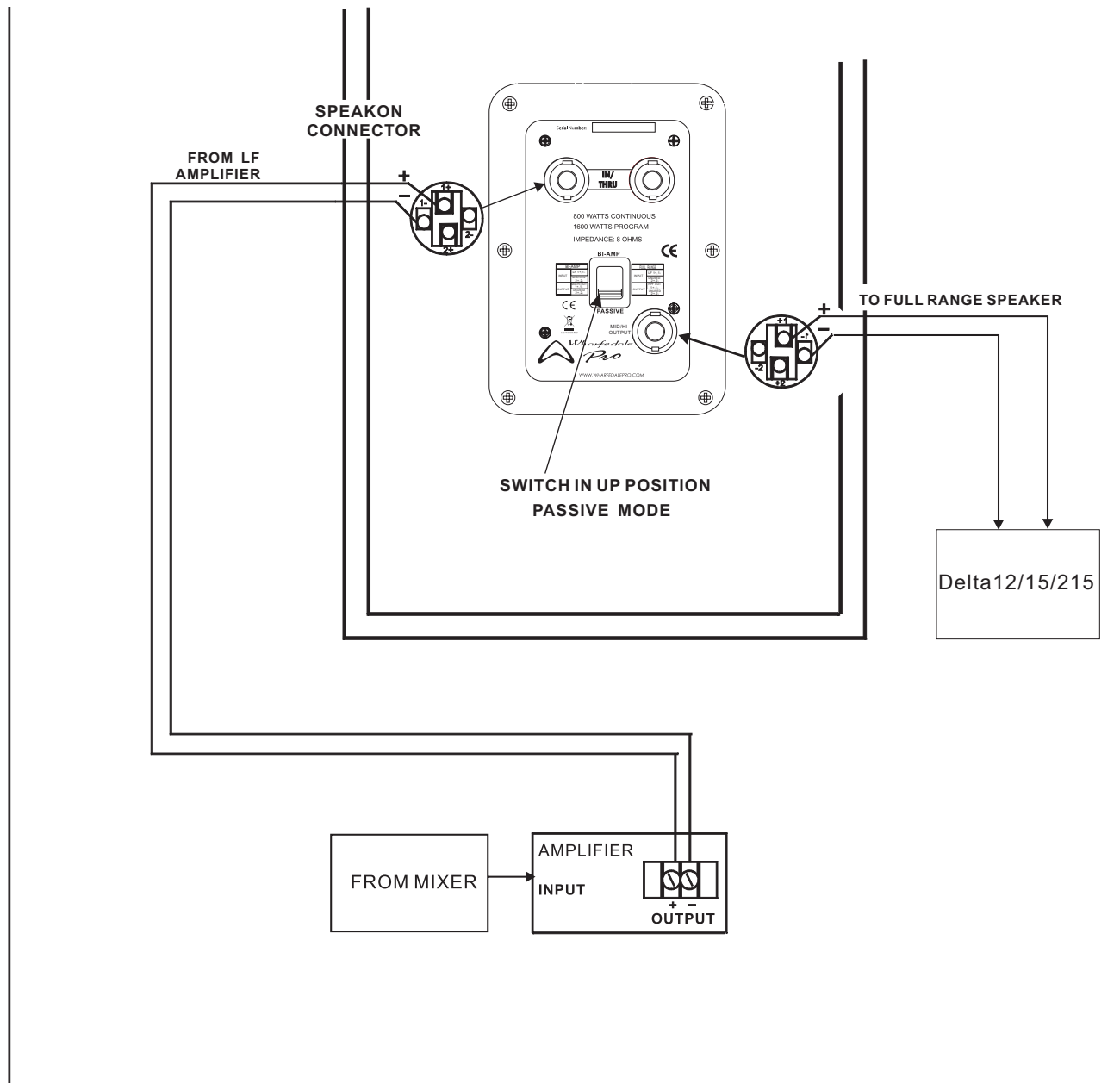




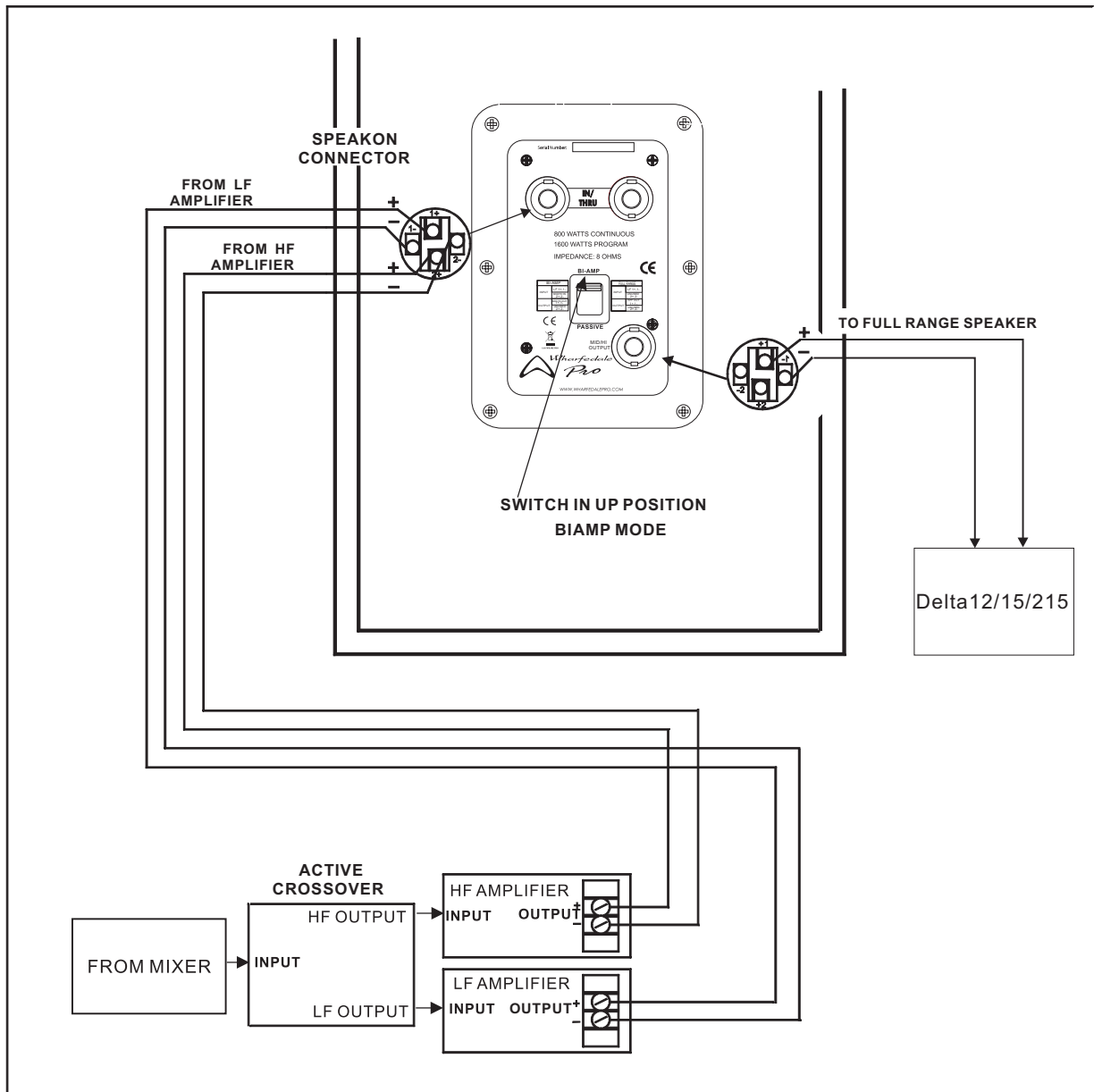


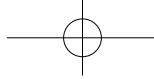
# Delta Series

## DELTA 15B/18B FULLRANGE WIRING



# DELTA 15B/18B BI-AMP WIRING

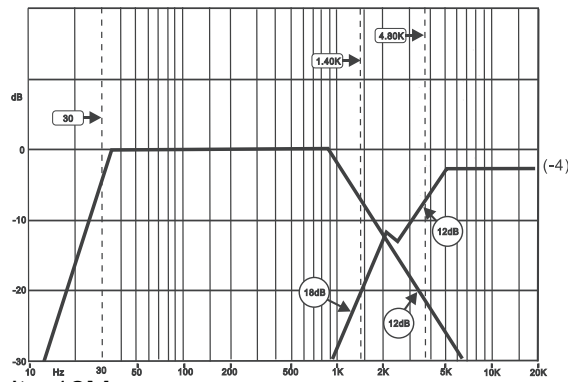




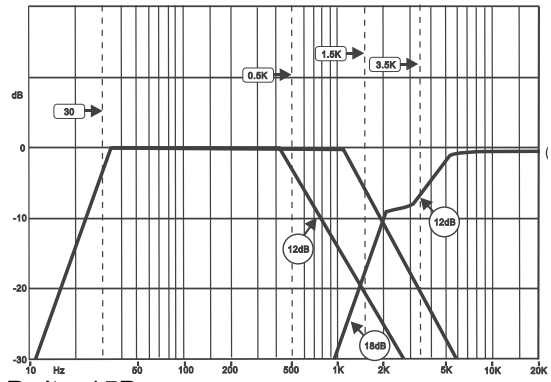
# Delta Series

## DELTA SERIES SUGGESTED NETWORK SETTINGS

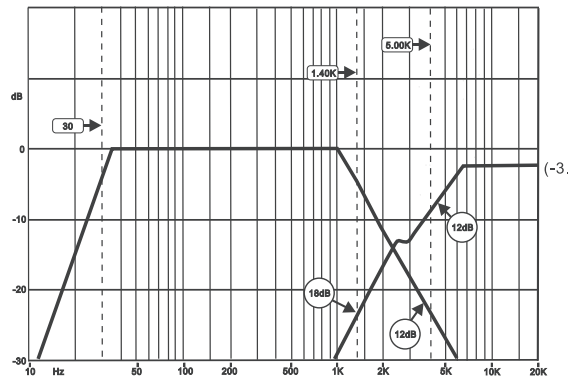
### Delta-12



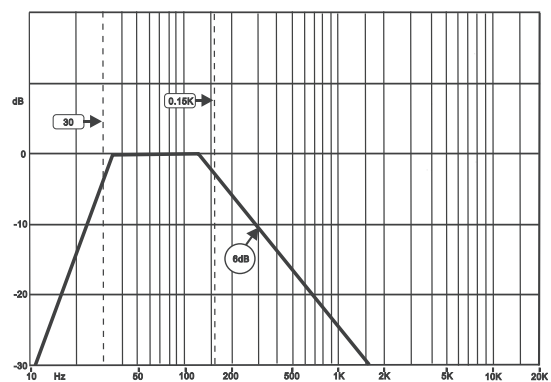
### Delta-215



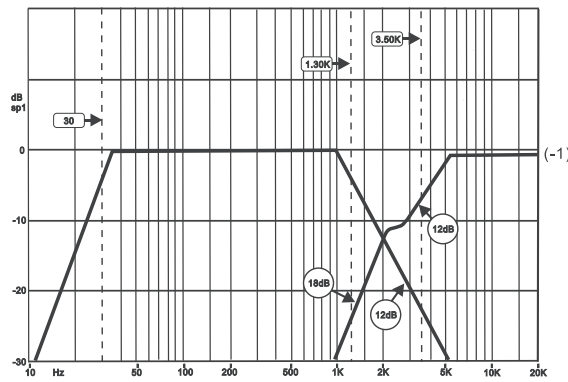
### Delta-12M



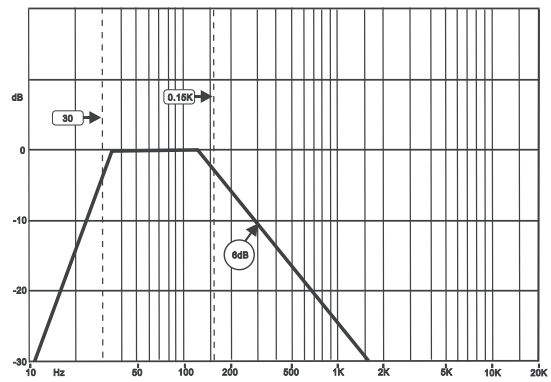
### Delta-15B



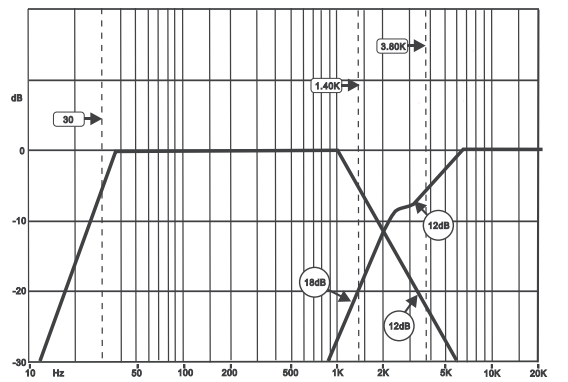
### Delta-15



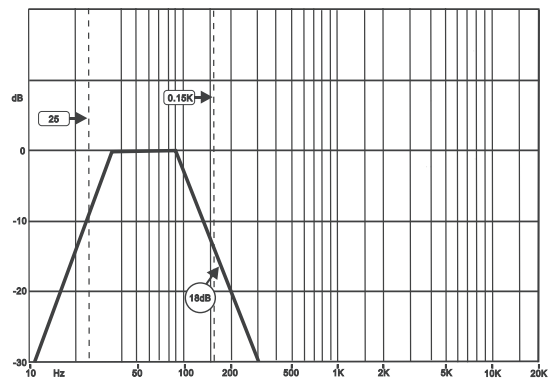
### Delta-18B



### Delta-15M



### Delta-218B



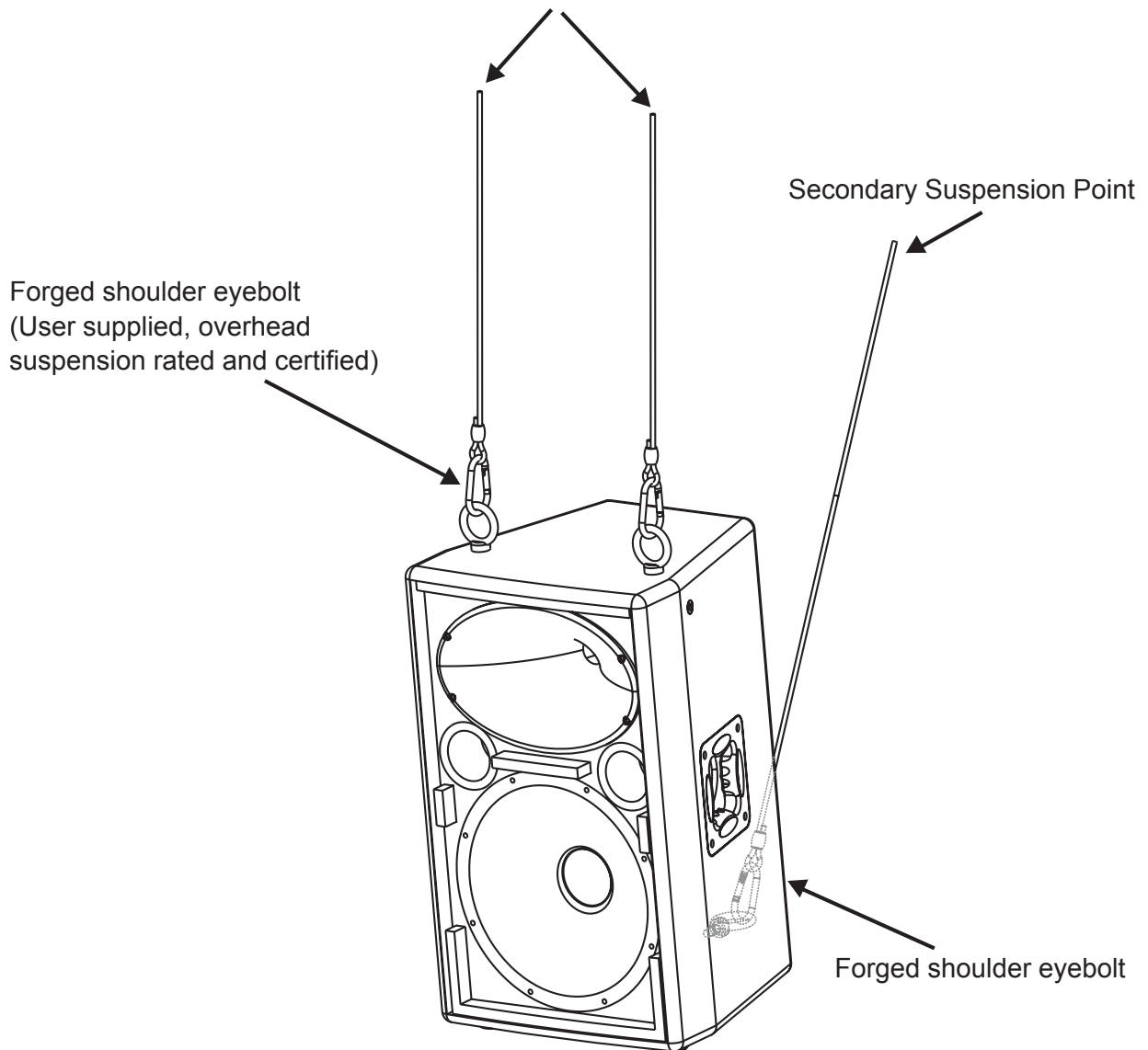
## RIGGING/SUSPENDING

### Using Shoulder Eyebolts

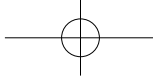
Always apply the load to the bolt along the plane of the eye. For long term installation use a thread-locking compound. Do not attempt to bend or otherwise deform any rigging hardware.

**Please refer to the important safety warnings before you consider suspending any loudspeakers.**

Each primary load bearing suspension point shall be rated for the total load.  
(A minimum 5:1 Design Factor or Local Standard should be observed, whichever is greater)



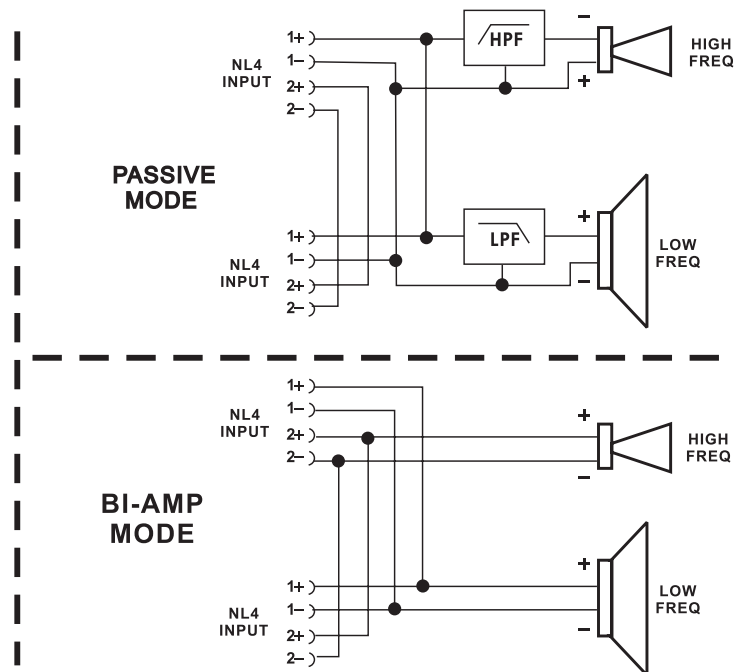
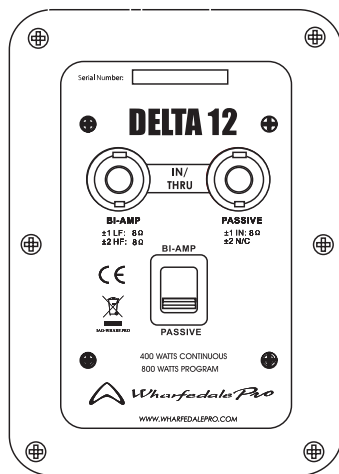
Working load limits: No more than four (4) high (vertical)  
The four (4) high vertical specification represents a static ratio of 7:1



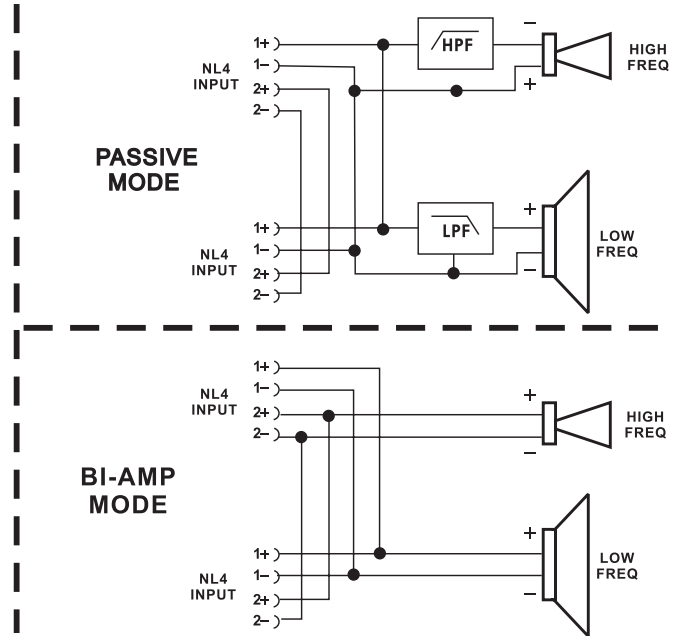
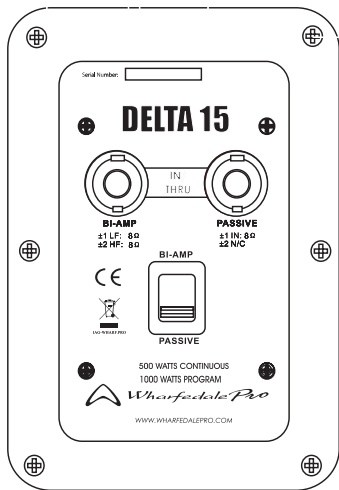
# Delta Series

## BLOCK/WIRING DIAGRAMS

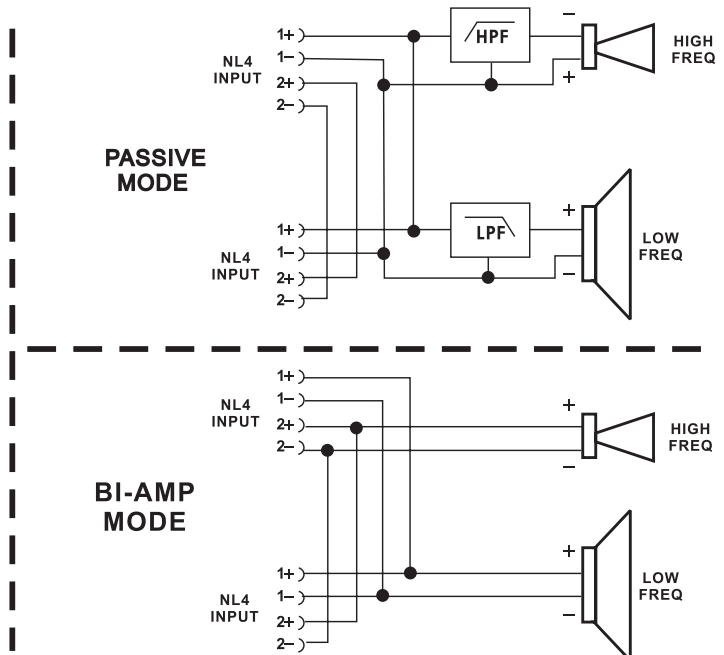
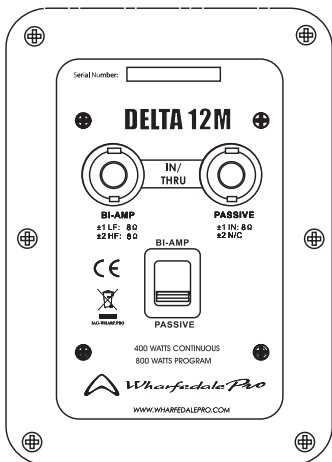
### DELTA-12 Crossover Block Diagram

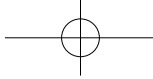


### DELTA-15 Crossover Block Diagram



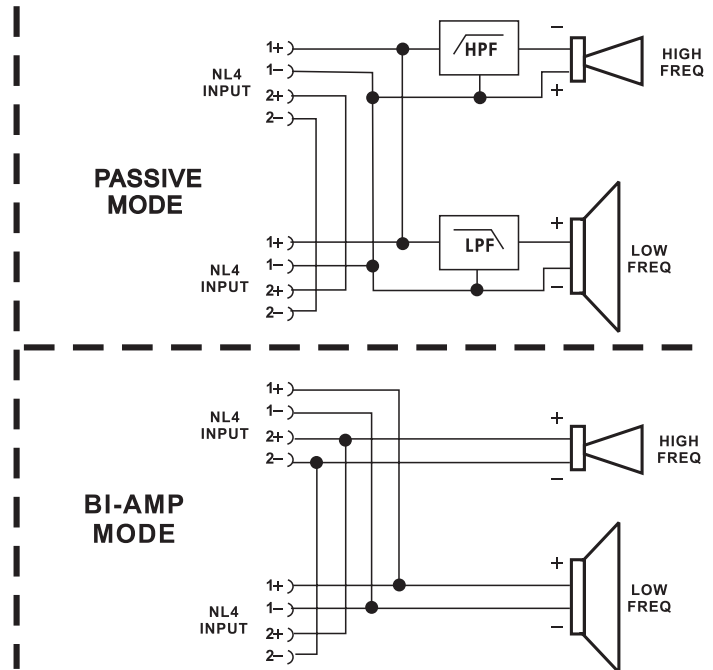
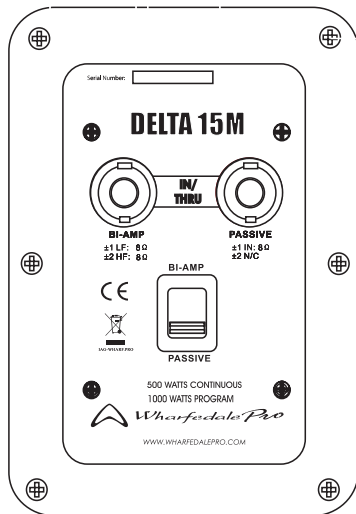
### DELTA-12M Crossover Block Diagram



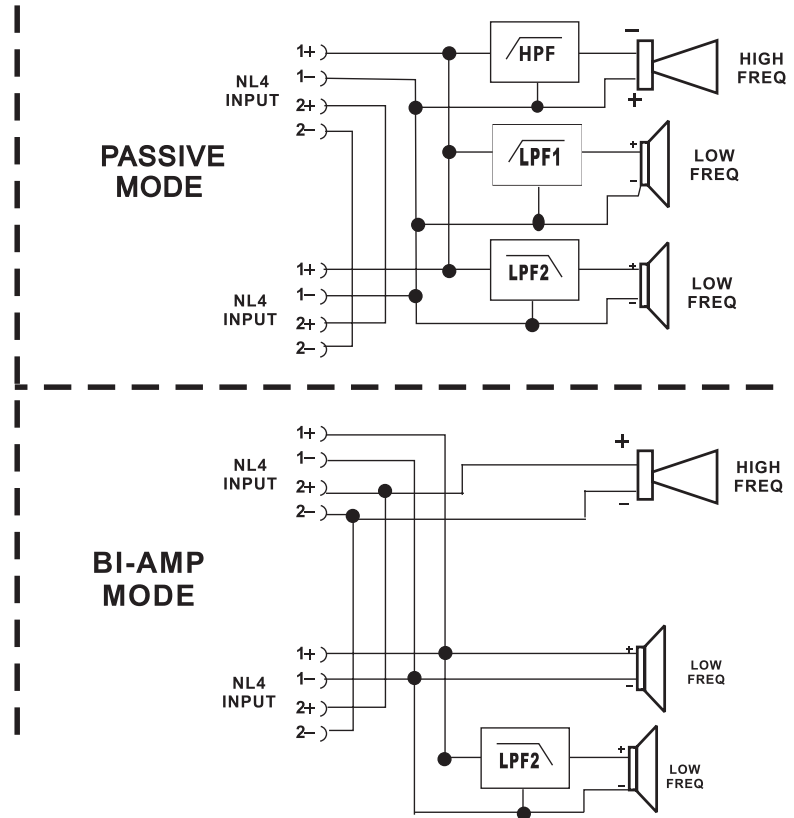
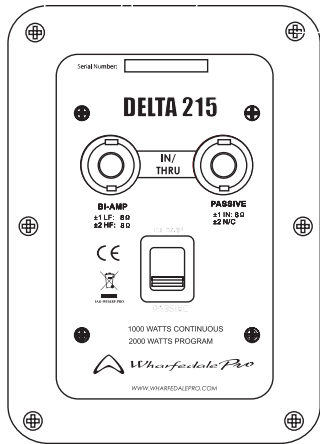


# Delta Series

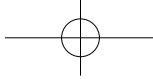
## DELTA-15M Crossover Block Diagram



## DELTA-215 Crossover Block Diagram

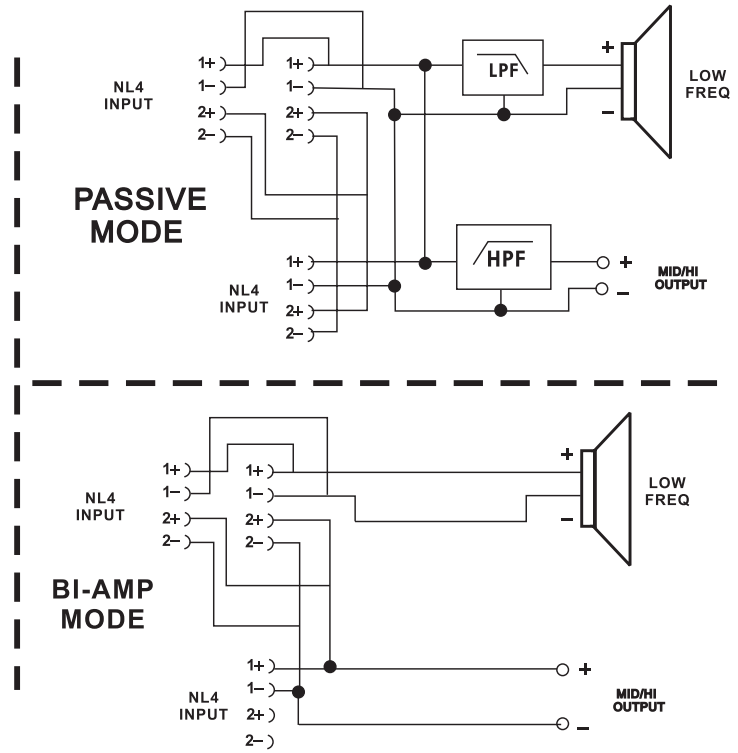
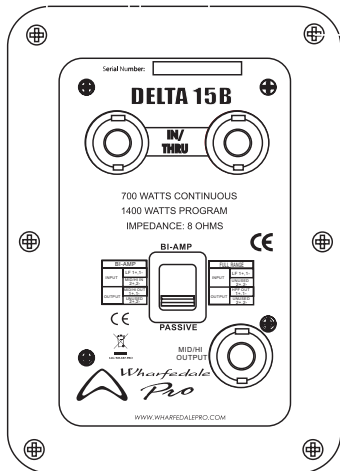




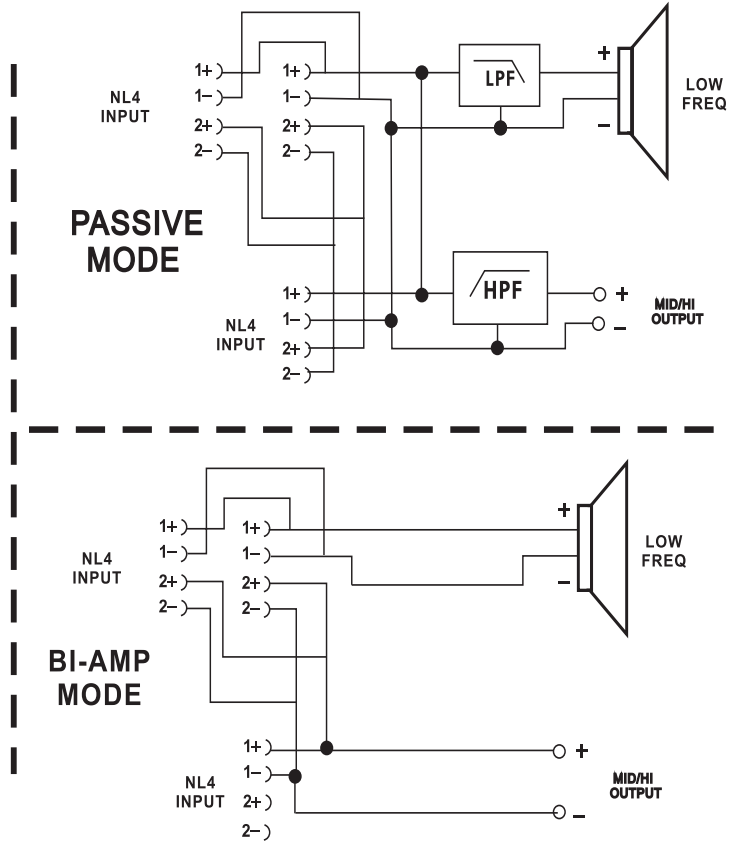
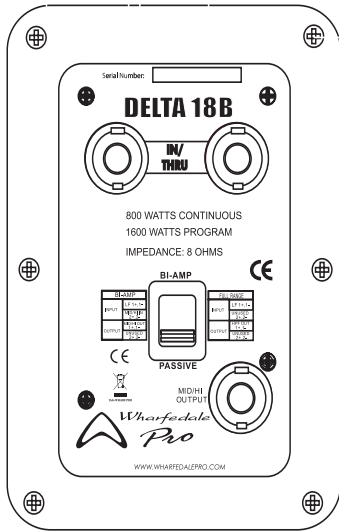


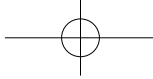
# Delta Series

## DELTA-15B Crossover Block Diagram



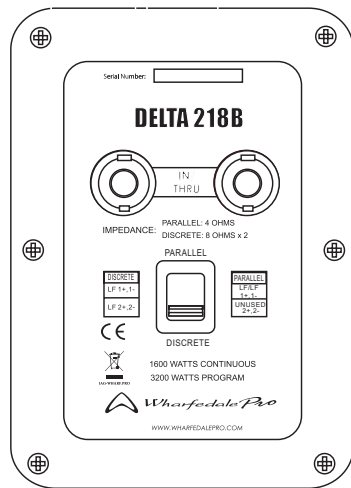
## DELTA-18B Crossover Block Diagram



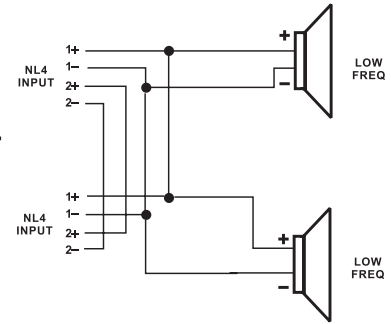


# Delta Series

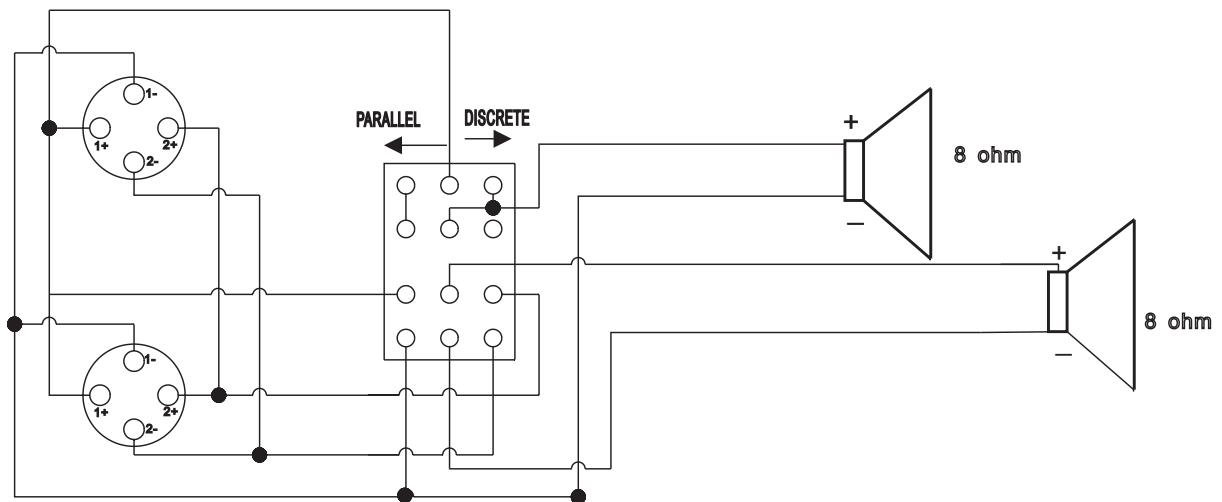
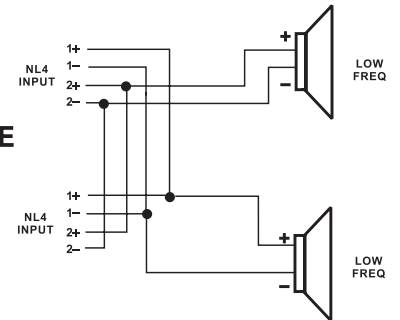
## DELTA-218B Crossover Block Diagram



### PARALLEL MODE

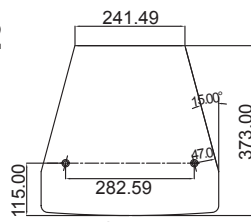


### DISCRETE MODE

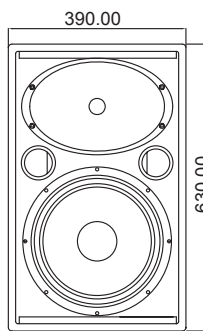


## DIMENSIONAL DRAWINGS

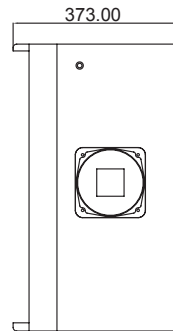
### DELTA-12



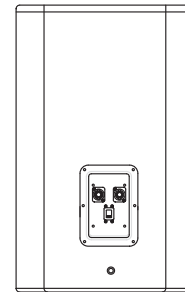
FRONT VIEW



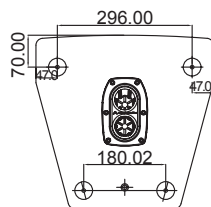
FRONT VIEW



SIDE VIEW

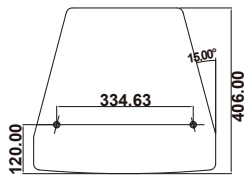


REAR VIEW

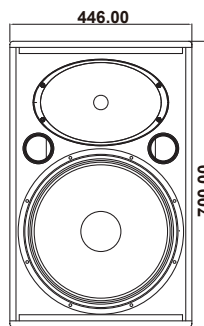


BOTTOM VIEW

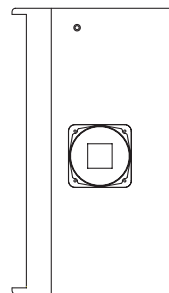
### DELTA-15



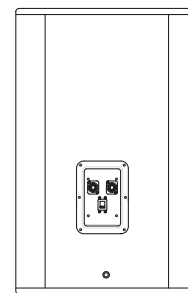
TOP VIEW



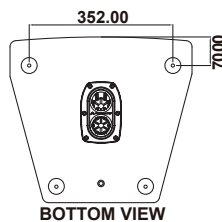
FRONT VIEW



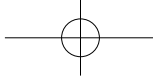
SIDE VIEW



REAR VIEW

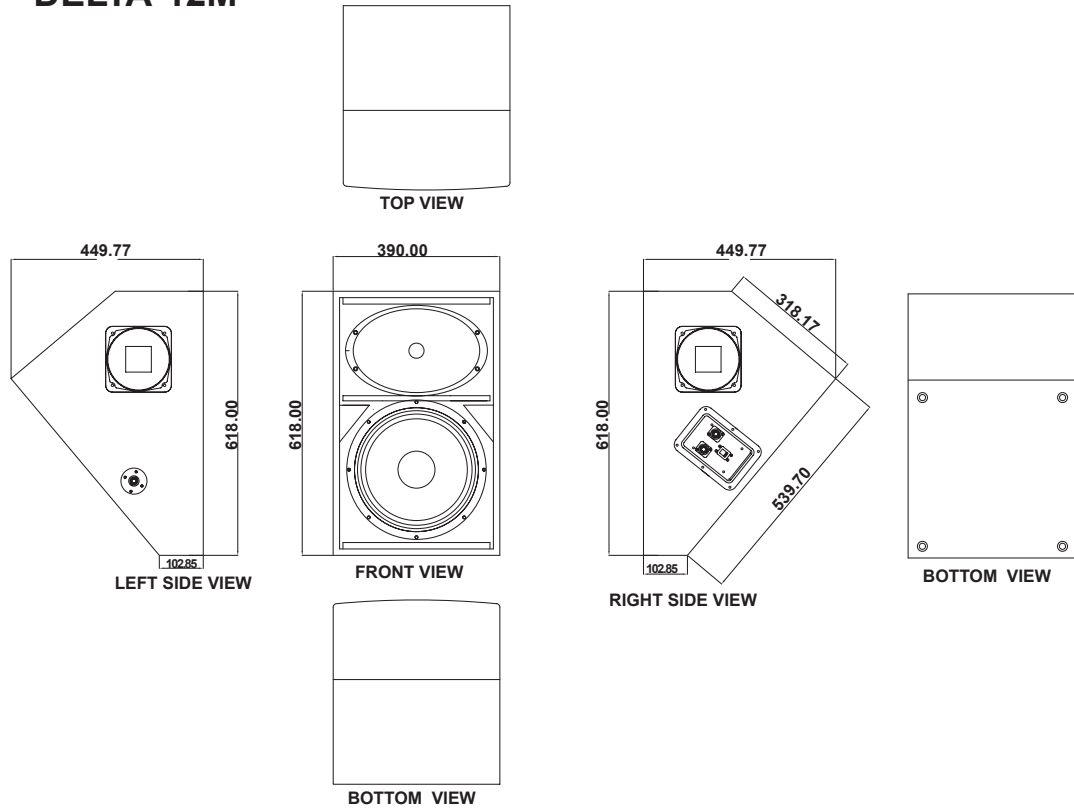


BOTTOM VIEW

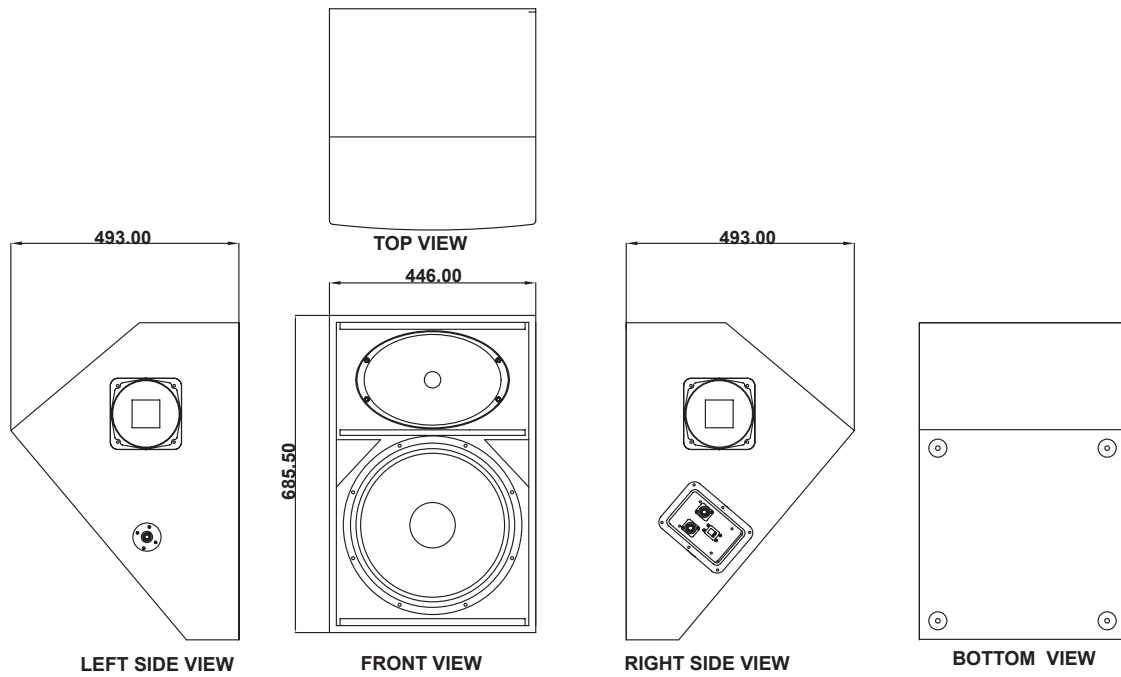


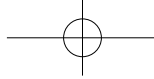
# Delta Series

## DELTA-12M



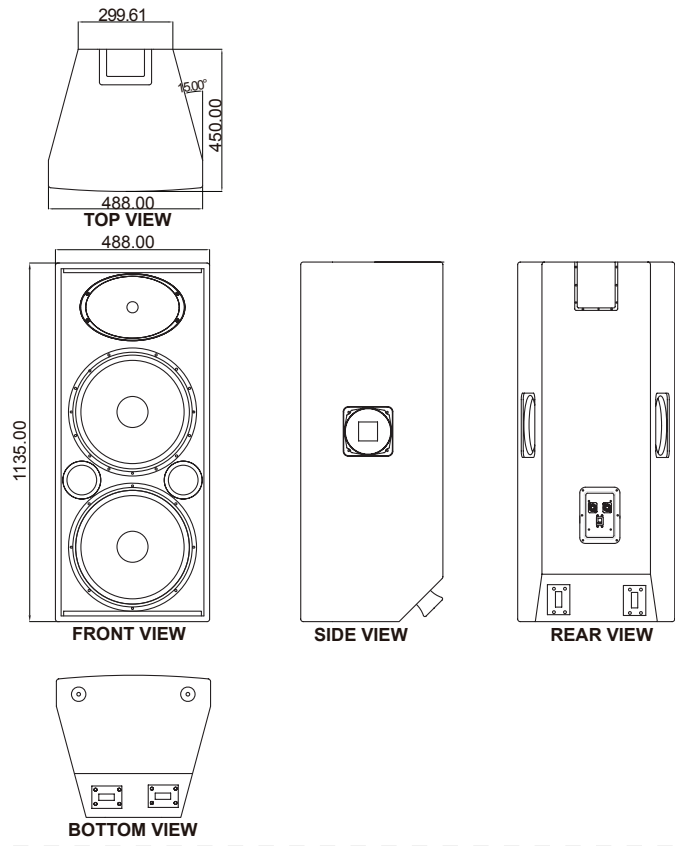
## DELTA-15M



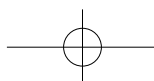
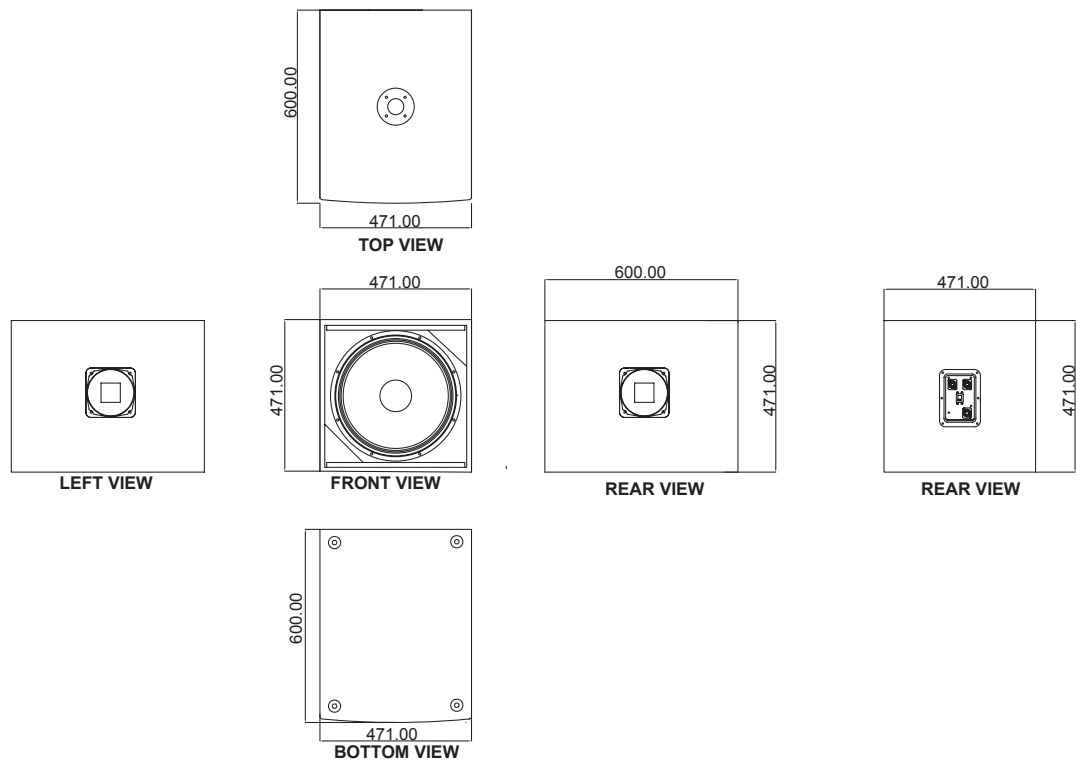


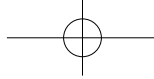
# OPERATING MANUAL AND USER GUIDE

## DELTA-215



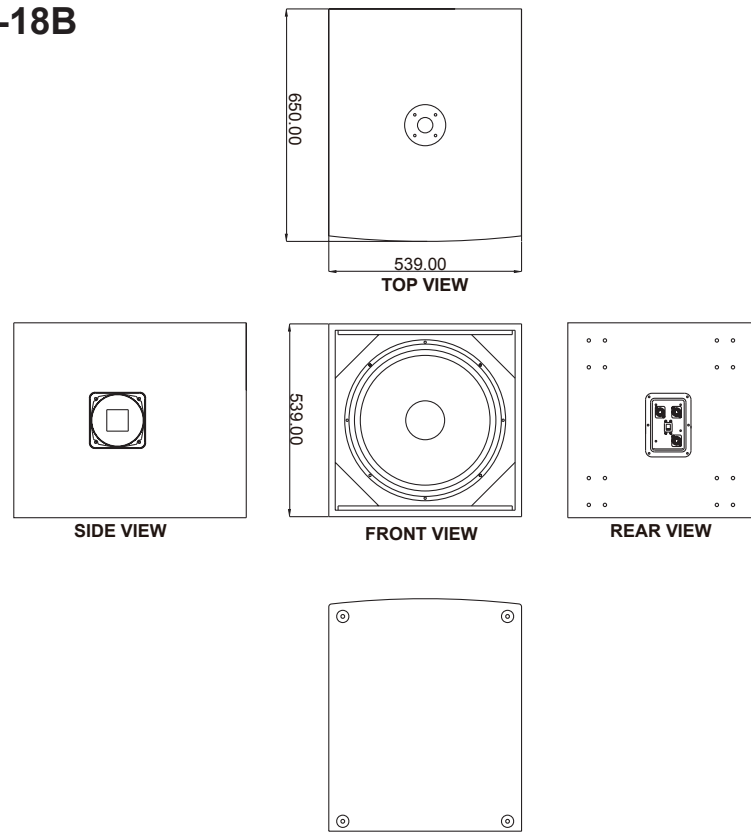
## DELTA-15B



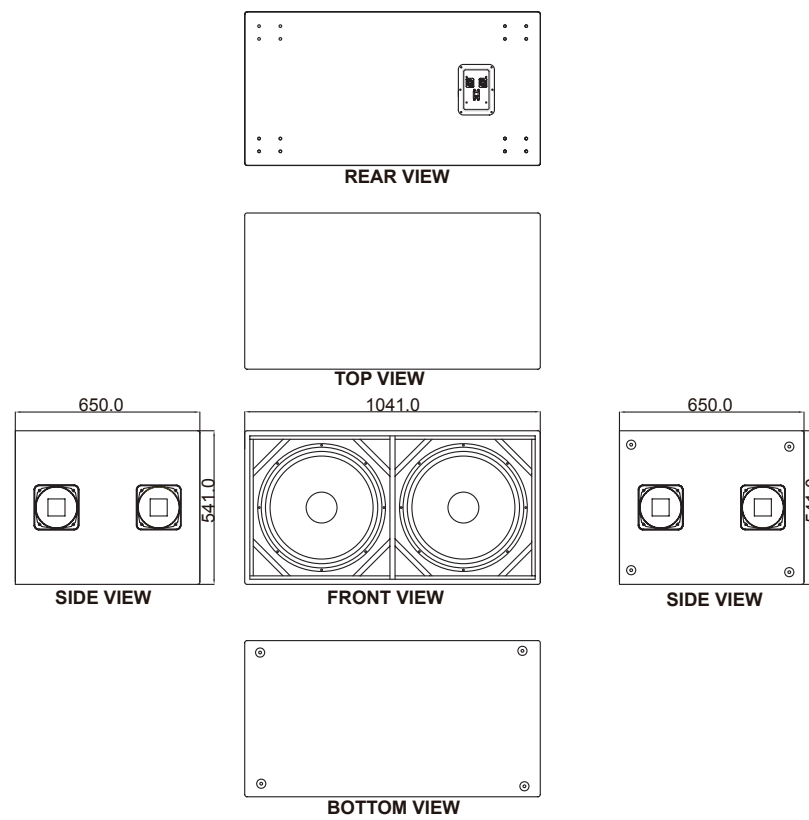


# Delta Series

## DELTA-18B



## DELTA-218B



# SPECIFICATIONS

Model		DELTA-12	DELTA-15	DELTA-215
<b>General Parameters</b>				
<b>System Type</b>		2-Way	2-Way	Quasi 3-Way
<b>Frequency Response</b>	<b>+/- 3dB</b>	60-20KHz	50-20KHz	45-20KHz
<b>Power Handling</b>	<b>Continuous</b>	400W	500W	1000W
	<b>Programme</b>	800W	1000W	2000W
	<b>Peak</b>	1600W	2000W	4000W
<b>Nominal Impedance</b>	<b>Ohms</b>	8Ω	8Ω	4Ω
<b>Sensitivity</b>	<b>dB (1W @ 1M)</b>	97dB	98dB	101dB
<b>Max SPL (Calculated)</b>	<b>dB SPL @ Peak Rated Power</b>	129dB	131dB	137dB
<b>Nominal Coverage</b>	<b>(H @1KHz)</b>	90°	90°	90°
	<b>(V @1KHz)</b>	45°	45°	45°
<b>Recommended High Pass Frequency</b>	<b>Hz</b>	1.5KHz / 1.8KHz	1.5KHz / 1.8KHz	1.5kHz / 1.8KHz
<b>Recommended High Pass Slope</b>	<b>dB / Oct</b>	18dB/Oct	18dB/Oct	18dB/Oct
<b>Crossover Frequency</b>	<b>Hz</b>	1.8KHz	1.8KHz	1.8KHz
<b>Bi-Amp Mode Switch</b>		Yes	Yes	Yes
<b>LF Size</b>	<b>(mm / inches)</b>	332mm / 12"	404mm / 15"	2x 404mm / 15"
<b>LF Power (Continuous RMS)</b>	<b>W</b>	400w	500w	500w
<b>LF Sensitivity (Free Field 1W @ 1M)</b>	<b>dB</b>	97dB	98dB	98dB
<b>LF Voice Coil</b>	<b>(mm / inches)</b>	76.2mm / 3"	76.2mm / 3"	76.2mm / 3"
<b>LF Cone Material</b>		Paper	Paper	Paper
<b>LF Voice Coil Material</b>		Copper	Copper	Copper
<b>LF Voice Coil Former Material</b>		Fibre Glass	Fibre Glass	Fibre Glass
<b>LF Basket Material</b>		Aluminium	Aluminium	Aluminium
<b>LF Basket Type</b>		Die-Cast	Die-Cast	Die-Cast
<b>LF Magnet Structure Mass</b>	<b>Kg / lbs</b>	2.467Kg / 5.412lbs	2.467Kg / 5.412lbs	2.467Kg / 5.412lbs
<b>LF Magnet Structure Material</b>		Ferrite	Ferrite	Ferrite
<b>HF Size</b>	<b>(mm / inch)</b>	50.8mm / 2" Titanium	50.8mm / 2" Titanium	50.8mm / 2" Titanium
<b>HF Power (Continuous RMS)</b>	<b>W</b>	50W	50W	50W
<b>HF Sensitivity (Free Field 1W @ 1M)</b>	<b>dB</b>	104dB	104dB	104dB
<b>HF Voice Coil</b>	<b>(mm / inch)</b>	50.8mm / 2"	50.8mm / 2"	50.8mm / 2"
<b>HF Waveguide Type</b>		Elliptical	Elliptical	Elliptical
<b>HF Waveguide Exit</b>	<b>(mm / inch)</b>	35.6mm / 1.4"	35.6mm / 1.4"	35.6mm / 1.4"
<b>HF Diaphragm Material</b>		Titanium	Titanium	Titanium
<b>HF Voice Coil Former Material</b>		Kapton	Kapton	Kapton
<b>HF Magnet Structure Mass</b>	<b>Kg/lbs</b>	1.197Kg / 2.63lbs	1.197Kg / 2.63lbs	1.197Kg / 2.63lbs
<b>HF Magnet Structure Material</b>		Ferrite	Ferrite	Ferrite
<b>HF Protection</b>		SK3	SK3	SK3
<b>Enclosure Material &amp; Thickness</b>		15mm Plywood	15mm Plywood	15mm Plywood
<b>Enclosure Finish</b>		RHINO ROCK™	RHINO ROCK™	RHINO ROCK™
<b>Grille Material &amp; Finish</b>		1.5mm Steel	1.5mm Steel	1.5mm Steel
<b>Colour</b>		Black	Black	Black
<b>Rigging Points</b>		M10 X 6	M10 X 6	
<b>Rigging Point Max Rated Weight</b>	<b>Kg / lbs</b>	450kg / 992lbs	450kg / 992lbs	
<b>Pole Mount</b>		Dual-Angle (0° or -10°)	Dual-Angle (0° or -10°)	
		35 mm Pole Socket	35 mm Pole Socket	
<b>Handles</b>		2 On Sides	2 On Sides	2 on Sides 1 On Back
<b>Input Connector Type</b>		2x Speakon	2x Speakon	2x Speakon
<b>Net Weight</b>	<b>Kg</b>	24.7Kg	29.9Kg	52.9Kg
	<b>lbs</b>	54.5lbs	65.9lbs	116.6lbs
<b>Gross Weight</b>	<b>Kg</b>	29.0Kg	35.5Kg	59.0Kg
	<b>lbs</b>	63.8lbs	78.1lbs	130.0lbs
<b>Dimensions (Unpacked)</b>	<b>H</b>	630mm / 24.8"	700mm / 27.6"	1135mm / 44.7"
	<b>W FRONT/REAR</b>	390/241.2mm / 15.3/9.5"	446/281.4mm /17.6/11.1"	488/299.6mm / 19.2/11.8"
	<b>D</b>	373mm / 14.7"	406mm / 16"	450mm / 17.7"
<b>Dimensions (Packed)</b>	<b>H</b>	733mm / 28.9"	803mm / 31.6"	1218mm / 48.0"
	<b>W FRONT/REAR</b>	566mm / 22.3"	622mm / 24.5"	558mm / 22.0"
	<b>D</b>	464mm / 18.3"	498mm / 19.6"	522mm / 20.6"
	<b>CBM</b>	0.193	0.25	0.355

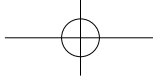


# Delta Series

Model		DELTA-12M	DELTA-15M
<b>General Parameters</b>			
System Type		2-Way	2-Way
Frequency Response	+/- 3dB	60-20KHz	55-20KHz
Power Handling	Continuous	400W	500W
	Programme	800W	1000W
	Peak	1600W	2000W
Nominal Impedance	Ohms	8Ω	8Ω
Sensitivity	dB SPL (1W @ 1M)	97dB	98dB
Max SPL (Calculated)	dB SPL @ Peak Rated Power	129dB	131dB
Nominal Coverage	(H @1KHz)	90°	90°
	(V @1KHz)	45°	45°
Recommended High Pass Frequency	Hz	1.5KHz / 1.8KHz	1.5KHz / 1.8KHz
Recommended High Pass Slope	dB / Oct	18dB/Oct	18dB/Oct
Crossover Frequency	Hz	1.8KHz	1.8KHz
Bi-Amp Mode Switch		Yes	Yes
LF Size	(mm / inches)	332mm / 12"	404mm / 15"
LF Power (Continuous RMS)	W	400w	500w
LF Sensitivity (Free Field 1W @ 1M)	dB	97dB	98dB
LF Voice Coil	(mm / inches)	76.2mm / 3"	76.2mm / 3"
LF Cone Material		Paper	Paper
LF Voice Coil Material		Copper	Copper
LF Voice Coil Former Material		Fibre Glass	Fibre Glass
LF Basket Material		Aluminium	Aluminium
LF Basket Type		Die-Cast	Die-Cast
LF Magnet Structure Mass	Kg / lbs	2.467Kg / 5.412lbs	2.467Kg / 5.412lbs
LF Magnet Structure Material		Ferrite	Ferrite
HF Size	(mm / inch)	50.8mm / 2" Titanium	50.8mm / 2" Titanium
HF Power (Continuous RMS)	W	50W	50W
HF Sensitivity (Free Field 1W @ 1M)	dB	104dB	104dB
HF Voice Coil	(mm / inch)	50.8mm / 2"	50.8mm / 2"
HF Waveguide Type		Elliptical	Elliptical
HF Waveguide Exit	(mm / inch)	35.6mm / 1.4"	35.6mm / 1.4"
HF Diaphragm Material		Titanium	Titanium
HF Voice Coil Former Material		Kapton	Kapton
HF Magnet Structure Mass	Kg/lbs	1.197Kg / 2.63lbs	1.197Kg / 2.63lbs
HF Magnet Structure Material		Ferrite	Ferrite
HF Protection		SK3	SK3
Enclosure Material & Thickness		15mm Plywood	15mm Plywood
Enclosure Finish		RHINO ROCK™	RHINO ROCK™
Grille Material & Finish		1.5mm Steel	1.5mm Steel
Colour		Black	Black
Pole Mount		No	No
Handles		2 On Sides	2 On Sides
Input Connector Type		3x Speakon	3x Speakon
Net Weight	Kg	23.18Kg	27.24Kg
	lbs	50.9lbs	59.9lbs
Gross Weight	Kg	28.5Kg	33.96Kg
	lbs	62.8lbs	74.7lbs
Dimensions (Unpacked)	H	449mm / 17.7" (SITU)	493mm / 19.4" (SITU)
	W FRONT/REAR	390mm / 15.3"	446mm / 17.6"
	D	618mm / 24.3"	685mm / 27"
Dimensions (Packed)	H	462mm / 18.2"	518mm / 20.4"
	W FRONT/REAR	690mm / 27.2"	757mm / 29.8"
	D	522mm / 20.6"	565mm / 22.2"
	CBM	0.17	0.22

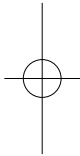
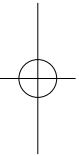
## OPERATING MANUAL AND USER GUIDE

Model		DELTA-15B	DELTA-18B	DELTA-218B
<b>General Parameters</b>				
<b>System Type</b>		Subwoofer	Subwoofer	Dual Chamber Subwoofer
<b>Frequency Response (Bi-Amp)</b>	<b>+/- 3dB</b>	42-2KHz	38-1.5KHz	30-1.5KHz
<b>Frequency Response (Passive)</b>	<b>+/- 3dB</b>	42-150Hz	38-150Hz	
<b>Power Handling</b>	<b>Continuous</b>	700W	800W	Parallel:1600W Discrete: 800W
	<b>Programme</b>	1400W	1600W	3200W 1600W
	<b>Peak</b>	2800W	3200W	6400W 3200W
<b>Nominal Impedance</b>	<b>Ohms</b>	8Ω	8Ω	4Ω 8Ω x2
<b>Sensitivity</b>	<b>dB SPL (1W @ 1M)</b>	98dB	99dB	100dB
<b>Max SPL (Calculated)</b>	<b>dB SPL @ Peak Rated Power</b>	132dB	134dB	138dB
<b>Bi Amp Mode Switch</b>		YES	YES	
<b>Subwoofer High Pass Output Frequency</b>	<b>Hz</b>	120Hz	120Hz	
<b>Subwoofer High Pass Filter Slope</b>	<b>dB / Oct</b>	6dB/Oct	6dB/Oct	
<b>LF Size</b>	<b>(mm / inches)</b>	404mm / 15"	470mm / 18"	470mm / 18"
<b>LF Power (Continuous RMS)</b>	<b>W</b>	700w	800w	800w
<b>LF Sensitivity (Free Field 1W @ 1M)</b>	<b>dB</b>	98dB	99dB	99dB
<b>LF Voice Coil</b>	<b>(mm / inches)</b>	101.6mm / 4"	101.6mm / 4"	101.6mm / 4"
<b>LF Cone Material</b>		Paper	Paper	Paper
<b>LF Voice Coil Material</b>		Copper	Copper	Copper
<b>LF Voice Coil Former Material</b>		Fibre Glass	Fibre Glass	Fibre Glass
<b>LF Basket Material</b>		Aluminium	Aluminium	Aluminium
<b>LF Basket Type</b>		Die-Cast	Die-Cast	Die-Cast
<b>LF Magnet Structure Mass</b>	<b>Kg / lbs</b>	2.69Kg / 5.918lbs	2.69Kg / 5.918lbs	2.69Kg / 5.918lbs
<b>LF Magnet Structure Material</b>		Ferrite	Ferrite	Ferrite
<b>Enclosure Material &amp; Thickness</b>		15mm Plywood	15mm Plywood	18mm Plywood
<b>Enclosure Finish</b>		RHINO ROCK™	RHINO ROCK™	RHINO ROCK™
<b>Grille Material &amp; Finish</b>		1.5mm Steel	1.5mm Steel	1.5mm Steel
<b>Colour</b>		Black	Black	Black
<b>Pole Mount</b>		35mm	35mm	No
<b>Handles</b>		2 On Sides	2 On Sides	4 On Sides
<b>Input Connector Type</b>		2x Speakon	2x Speakon	2x Speakon
<b>HPF Output Connector Type</b>		1x Speakon	1x Speakon	N/A
<b>Net Weight</b>	<b>Kg</b>	31.5Kg	37.3Kg	78.9Kg
	<b>lbs</b>	69.4lbs	82.06lbs	173.9lbs
<b>Gross Weight</b>	<b>Kg</b>	35.12Kg	43.2Kg	86.0Kg
	<b>lbs</b>	77.4lbs	95.04lbs	189.6lbs
<b>Dimensions (Unpacked)</b>	<b>H</b>	471mm / 18.5"	539mm / 21.2"	541mm / 21.3"
	<b>W FRONT/REAR</b>	471mm / 18.5"	539mm / 21.2"	1041mm / 41"
	<b>D</b>	600mm / 23.6"	650mm / 25.6"	650mm / 25.6"
<b>Dimensions (Packed)</b>	<b>H</b>	556mm / 21.9"	624mm / 24.6"	626mm / 24.6"
	<b>W FRONT/REAR</b>	672mm / 26.5"	722mm / 28.4"	1126mm / 44.3"
	<b>D</b>	543mm / 21.4"	611mm / 24.1"	722mm / 28.4"
	<b>CBM</b>	0.21	0.28	0.51



## Delta Series

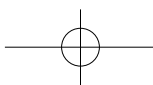
---

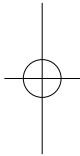
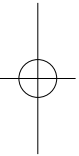
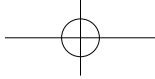


### **WHARFEDALE PRO LIMITED WARRANTY**

Wharfedale Pro products are warranted of manufacturing or material defects for a period of one year from the original date of purchase. In the event of malfunction, contact your authorized Wharfedale Pro dealer or distributor for information.

\*Be aware that warranty details may differ from country to country. Contact your dealers or distributor for information. These terms do not infringe your statutory rights.





Wharfedale Professional  
IAG HOUSE, Sovereign Court, Ermine Business Park Huntingdon, Cambs, PE29 6XU, England  
[www.wharfedalepro.com](http://www.wharfedalepro.com)

Wharfedale Professional reserves the right to alter or improve specifications without notice.  
All rights reserved © 2010 Wharfedale Pro. Wharfedale Pro is a member of the IAG Group.

