



Kinetic Series

OPERATING MANUAL AND USER GUIDE

Kinetic 8
Kinetic 15
Kinetic 18B

Kinetic 12
Kinetic 153

Kinetic 12M
Kinetic 215



www.wharfedalepro.com



IMPORTANT WARNINGS & SAFETY INSTRUCTIONS

1. READ ALL INSTRUCTIONS – carefully and become familiar with the features and functions of these products before operating them.
2. RETAIN THESE INSTRUCTIONS – for future reference.
3. COMPLY WITH ALL WARNINGS – All warnings and instructions for this product should be adhered to.
4. USE WITH AMPLIFIERS – In order to avoid damage to drivers and other equipment, it is advisable to establish and follow a routine for powering up and powering down a sound system. With all system components connected, turn on source equipment (mixers, signal processors, record and playback units, etc.) BEFORE powering up amplifiers. Transient voltages from powering up source equipment can damage speakers if amplifiers are already turned on. Make sure that amplifier volumes are set to their minimum settings and power up any system amplifiers LAST. It is recommended that all system components be allowed to stabilize for several seconds before any source signals are introduced or level setting adjustments are made. Similarly, when shutting systems down, turn all amplifiers off first, before powering down any other system components.
5. CABLES – Do not use shielded or microphone cables for connection between amplifiers and speakers. Use only approved speaker cables with proper connectors.
6. CAUTION – These professional loudspeaker systems are capable of generating very high sound pressure levels. Use care with placement and operation to avoid exposure to excessive volume levels. Permanent hearing damage can result when operated to extreme levels.
7. SERVICE – There are no user serviceable parts inside this product. Users should not attempt to service this product. Warranty nullification could result if this is attempted.
8. RIGGING - SUSPENDING - MOUNTING - Rigging suspending or mounting of speaker systems can expose members of the public to serious health risks and even death.

UNDER NO CIRCUMSTANCES ATTEMPT TO RIG, SUSPEND OR OTHERWISE MOUNT THESE SPEAKERS UNLESS YOU ARE FULLY QUALIFIED AND CERTIFIED TO DO SO BY RELEVANT LOCAL, STATE AND NATIONAL AUTHORITIES. ALL RELEVANT SAFETY REGULATIONS MUST BE FOLLOWED. IF YOU ARE NOT PROPERLY QUALIFIED OR DO NOT KNOW OF PERTINENT REGULATIONS, CONSULT QUALIFIED PERSONNEL FOR ADVICE.



Kinetic Series

TABLE OF CONTENTS

Important Warnings & Safety Instructions.....	1
Introduction.....	3
Models / Key Features.....	4
Installation / Connections/Wiring.....	5
Kinetic Series Connection Panels	6
Kinetic Full Range System	7
Kinetic Vocal System / Dimensions	8
Specifications	12
Warranty	14



INTRODUCTION

The Wharfedale Pro Kinetic Series is the result of many years of experience in the use, design and manufacture of professional loudspeaker products. We take great pride in engineering and building every Wharfedale Pro loudspeaker and would like to thank you for entrusting us with your sound.

The Kinetic Series are passive loudspeakers that offer the legendary price to performance that Wharfedale Pro has become world famous for. The Kinetic Series offer professional features such as compression drivers, custom designed woofers and PTC HF protection. All models feature speakon/jack combination inputs that are parallel wired, ensuring seamless integration with both professional and beginner equipment.

The Kinetic Series is suitable for a wide range of applications, they are an ideal choice for small bands or portable DJ's that need heavy duty sound reinforcement on a budget.

All components are designed and built from the ground up in our own vertically integrated factory, providing the consumer with world class performance and unparalleled value.



Kinetic Series

MODELS

- ◆ Kinetic 8 Passive 2-way Loudspeaker
- ◆ Kinetic 12 Passive 2-way Loudspeaker
- ◆ Kinetic 12M Passive 2-way Stage Monitor
- ◆ Kinetic 15 Passive 2-way Loudspeaker
- ◆ Kinetic 153 Passive 3-way Loudspeaker
- ◆ Kinetic 18B Passive Subwoofer
- ◆ Kinetic 215 Passive Quasi 3-way Loudspeaker

KEY FEATURES

- ◆ Low Distortion, High Power Custom Wharfedale Pro Woofers
- ◆ HF Compression Drivers
- ◆ 90°x60° Elliptical Waveguides
- ◆ High Slope Crossover With High Voltage Components
- ◆ PTC HF Driver Protection Circuitry
- ◆ Low Resonance Enclosures
- ◆ Road-Tough Carpet Finish
- ◆ High-Impact Plastic Handles
- ◆ High-Impact Plastic Pole Mount Receptacles
(Steel On Kinetic 153 & 18B)
- ◆ Parallel Speakon/¹/₄" Jack Inputs
- ◆ High Pass Output (Kinetic 18B Only)



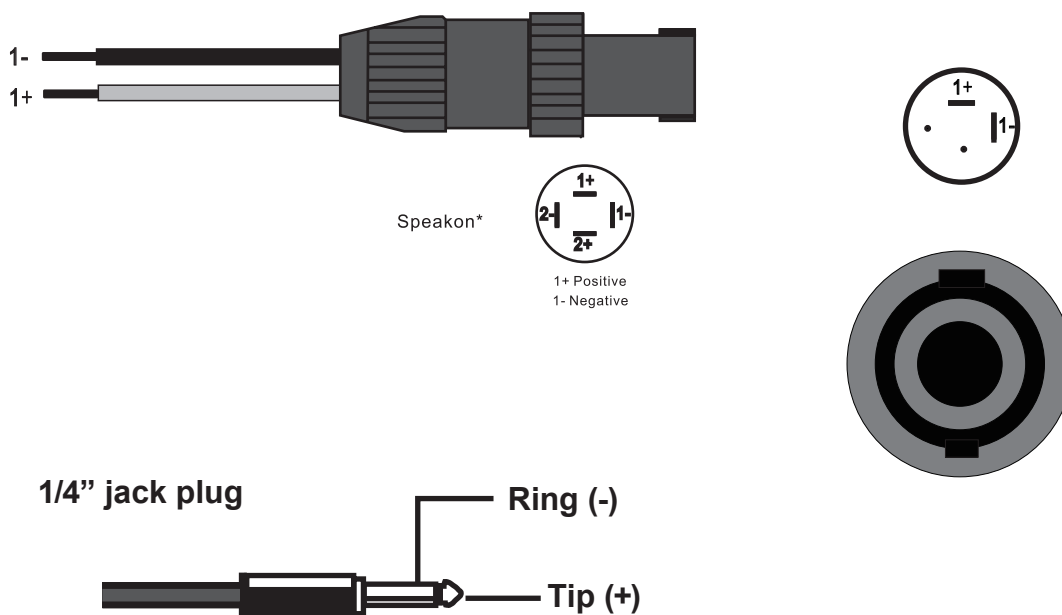
INSTALLATION

Before attempting to install a Kinetic Series loudspeaker system please refer to the important warnings and safety instructions. Only qualified personnel should install a loudspeaker system.

Improper installation of a loudspeaker system can cause serious harm and even death if correct procedure is not followed. Anyone attempting installation assumes all liability arising from such use.

CONNECTIONS/WIRING

Connecting the Kinetic Series to your system is easy. The input panel includes parallel Speakon NL2/1/4" jack combination connectors. Run your speaker wires from your amplifier to the speaker, you can use either input connector. Be sure to use high quality, low gauge (thick) speaker wire and NOT shielded cable.

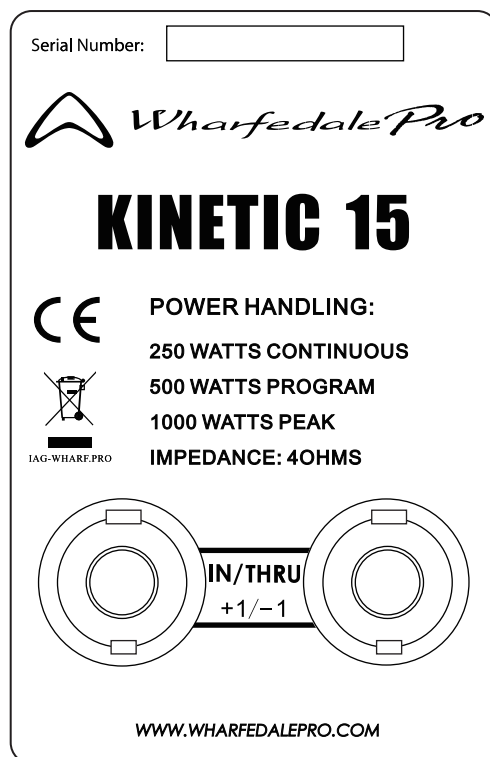


KINETIC SERIES CONNECTION PANELS

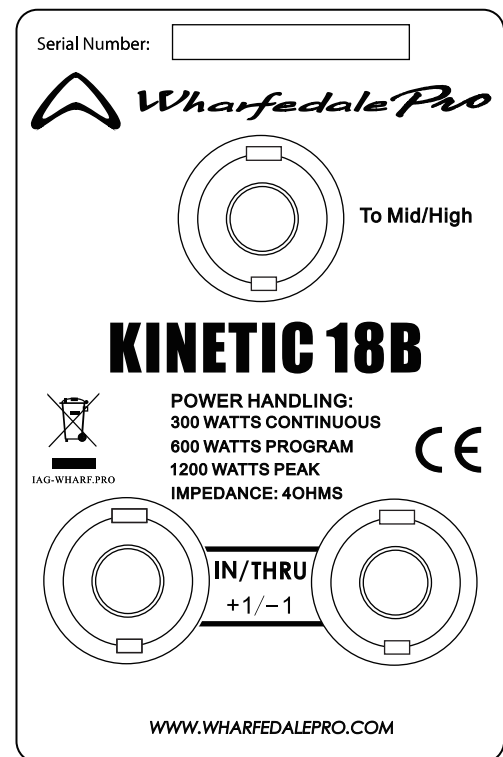
Kinetic Series loudspeakers feature parallel wired inputs. Either input can be used for a simple system, and 2 speakers can be parallel wired using a standard speaker cable. When parallel wiring loudspeakers always take into consideration the load you are putting on your amplifier. 2 parallel wired Kinetic loudspeakers will produce a 2 ohm load.

IMPORTANT NOTE:

To avoid any possible damage to your amp and speakers, be sure to check the owners manual of your power amplifier to confirm it is capable of operating at 2 ohms.



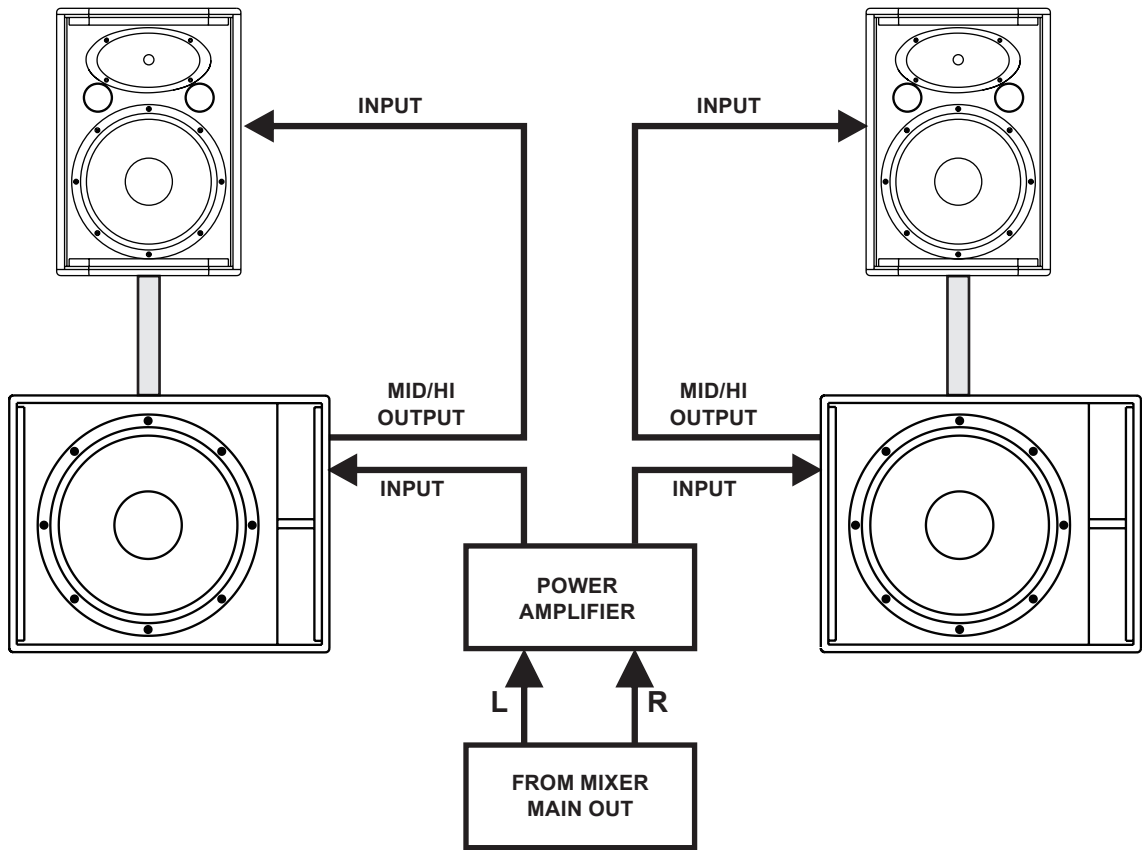
**Kinetic
8/12/12M/15/153/215
Rear Panel**



**Kinetic 18B
Rear Panel**

The Kinetic 18B has a High Pass Filter output. The high pass filter allows you to connect a fullrange Kinetic loudspeaker and subwoofer to one amplifier channel with a 4 ohm load.

KINETIC FULLRANGE SYSTEM



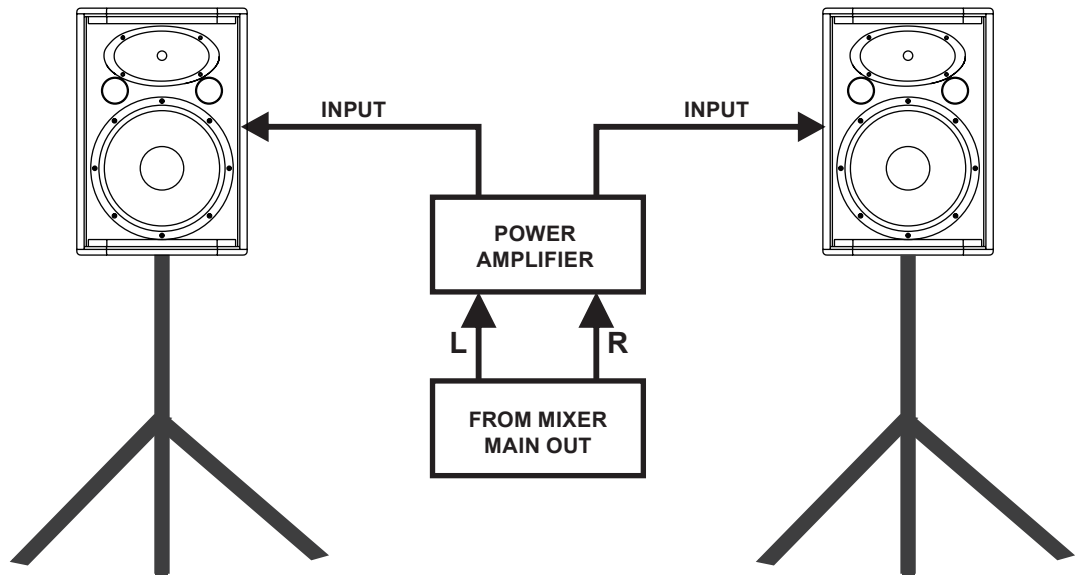
Kinetic 18B Subwoofers have HPF outputs so you can use just one channel of an amplifier for each side of a full range system. Run your speaker wires to the input of the sub and another speaker wire from the subwoofer hi-pass output to the input of the full range speaker on a stand or sitting on top of the sub.

This system will create a 4 ohm load on each amplifier channel



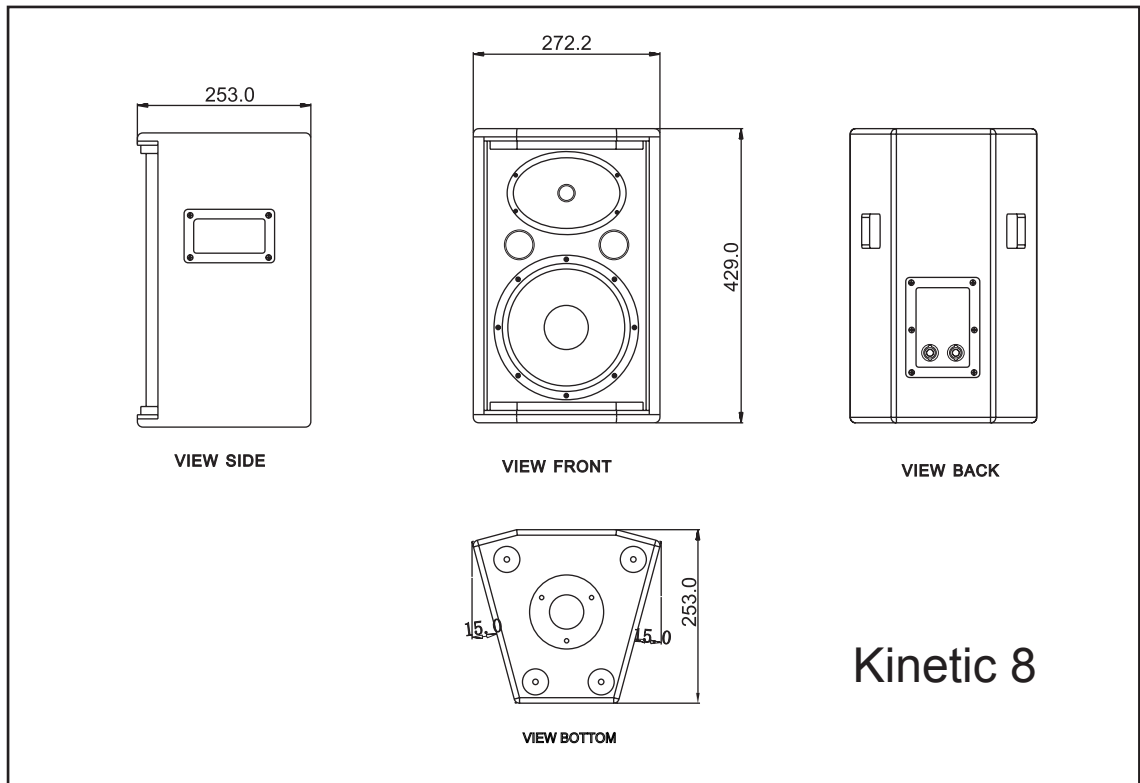
Kinetic Series

KINETIC VOCAL SYSTEM

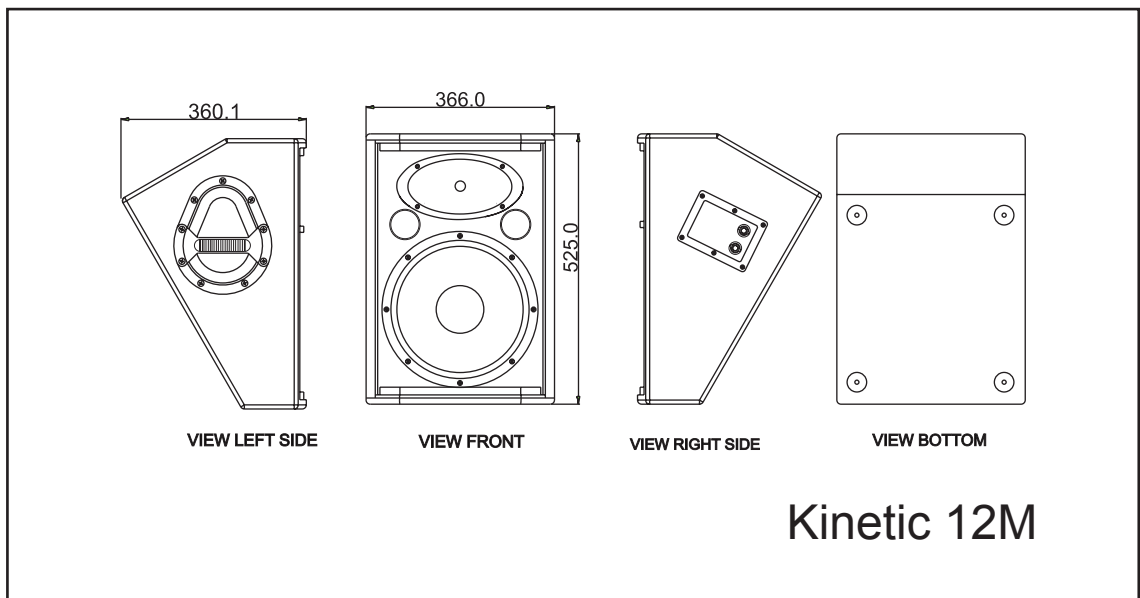
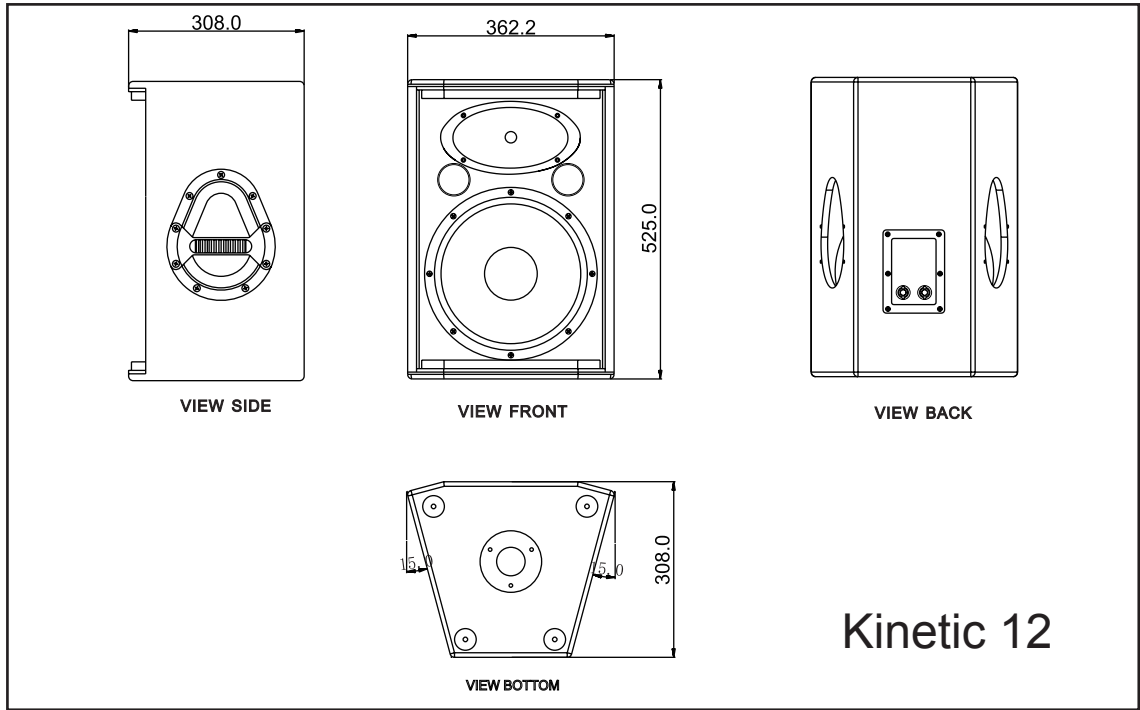


This system will create a 4 ohm load on each amplifier channel

DIMENSIONS



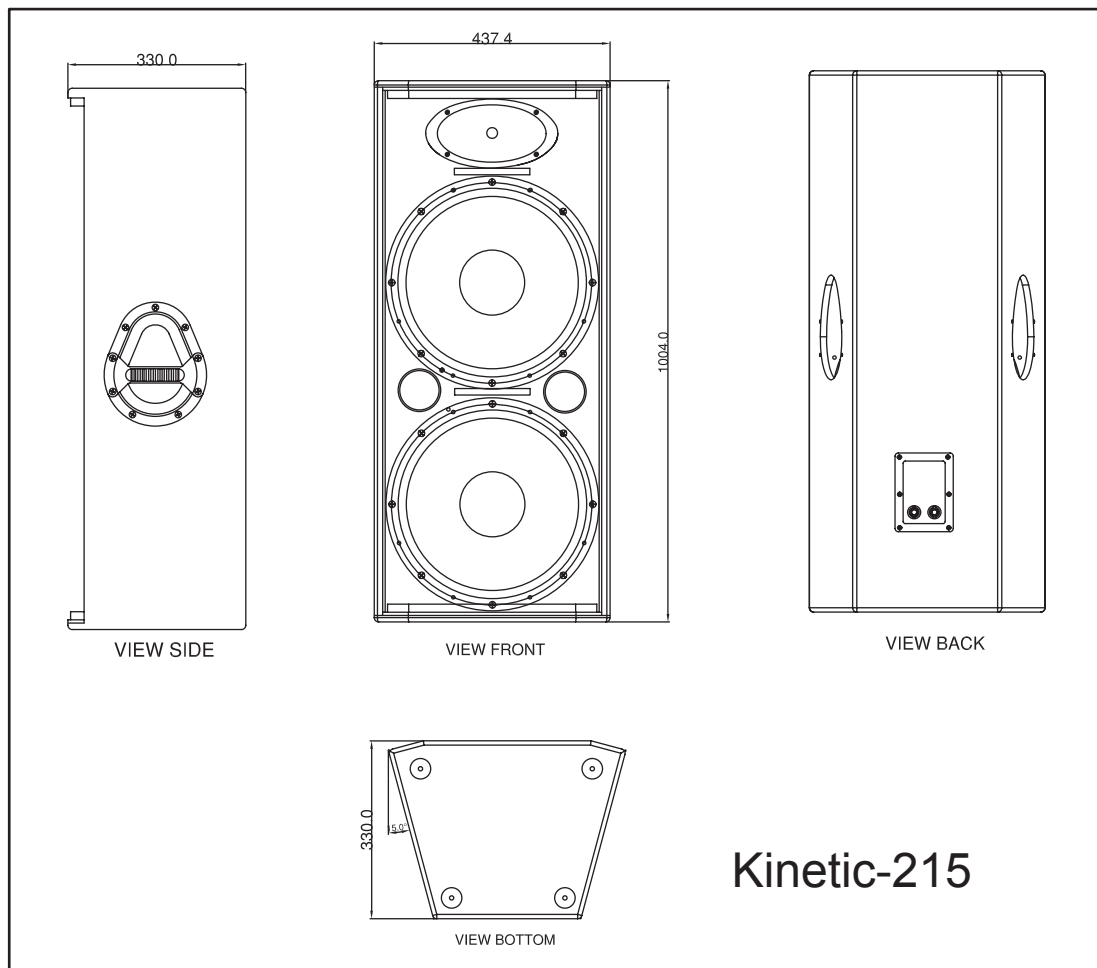
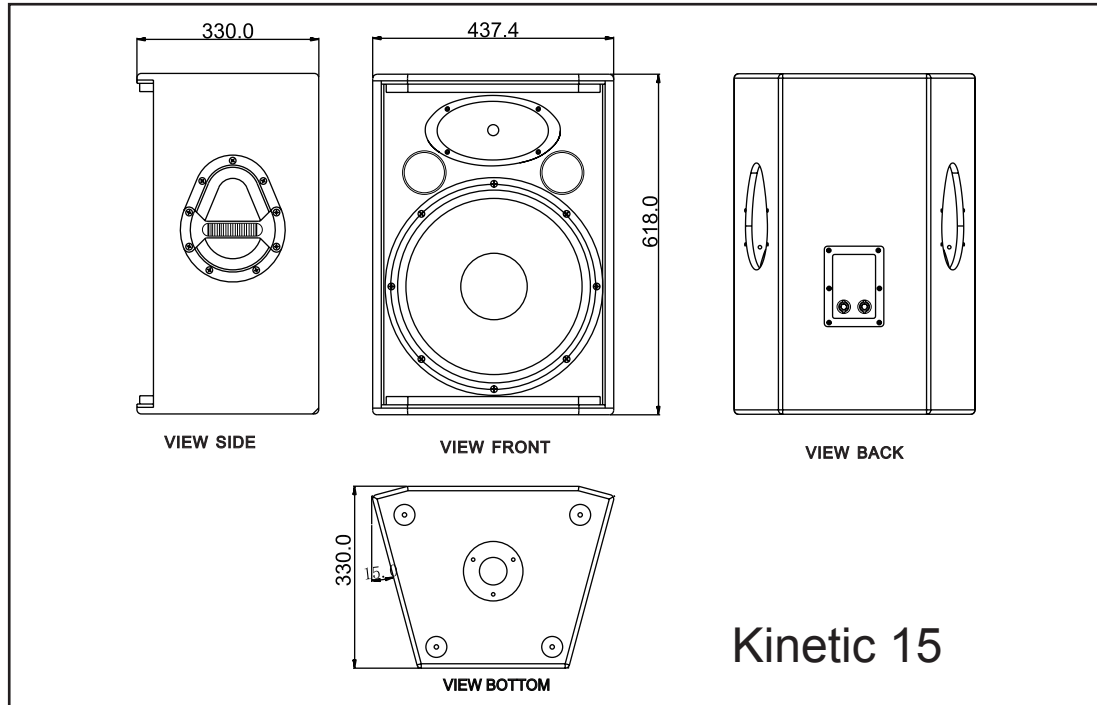
DIMENSIONS



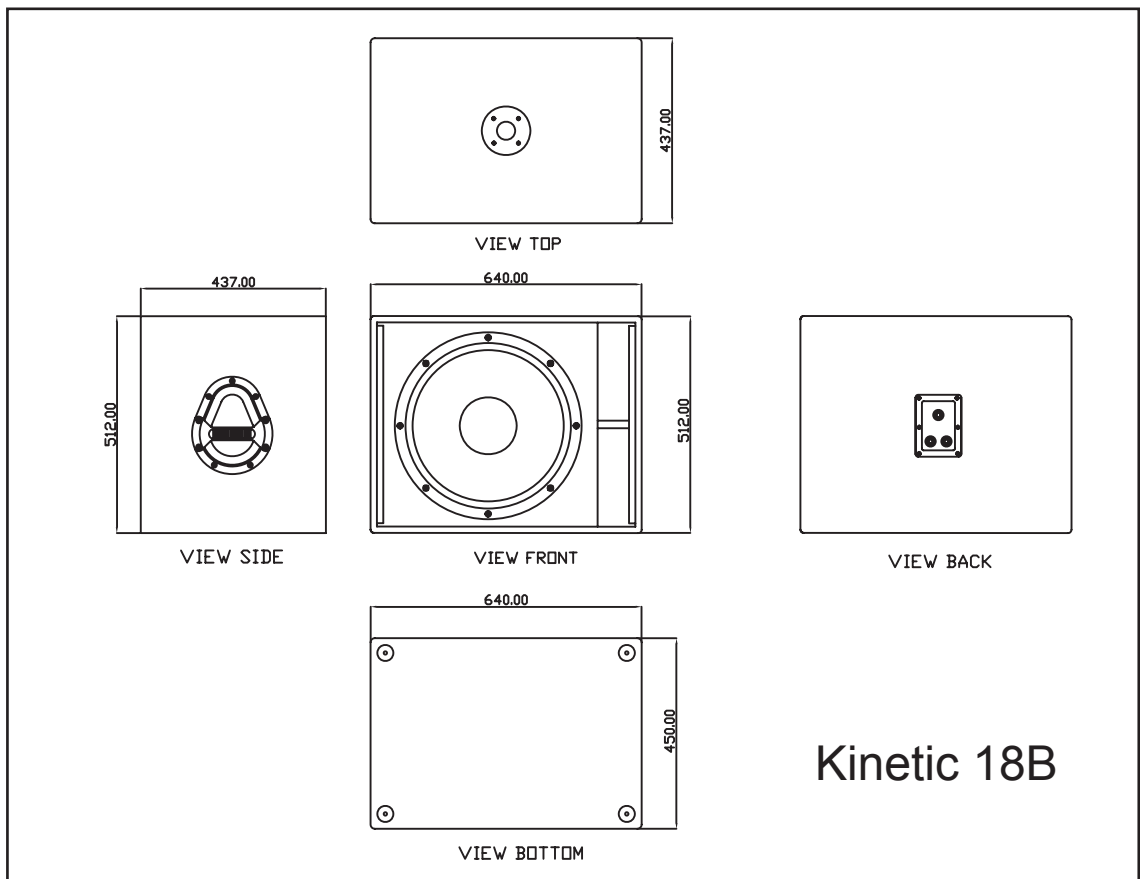
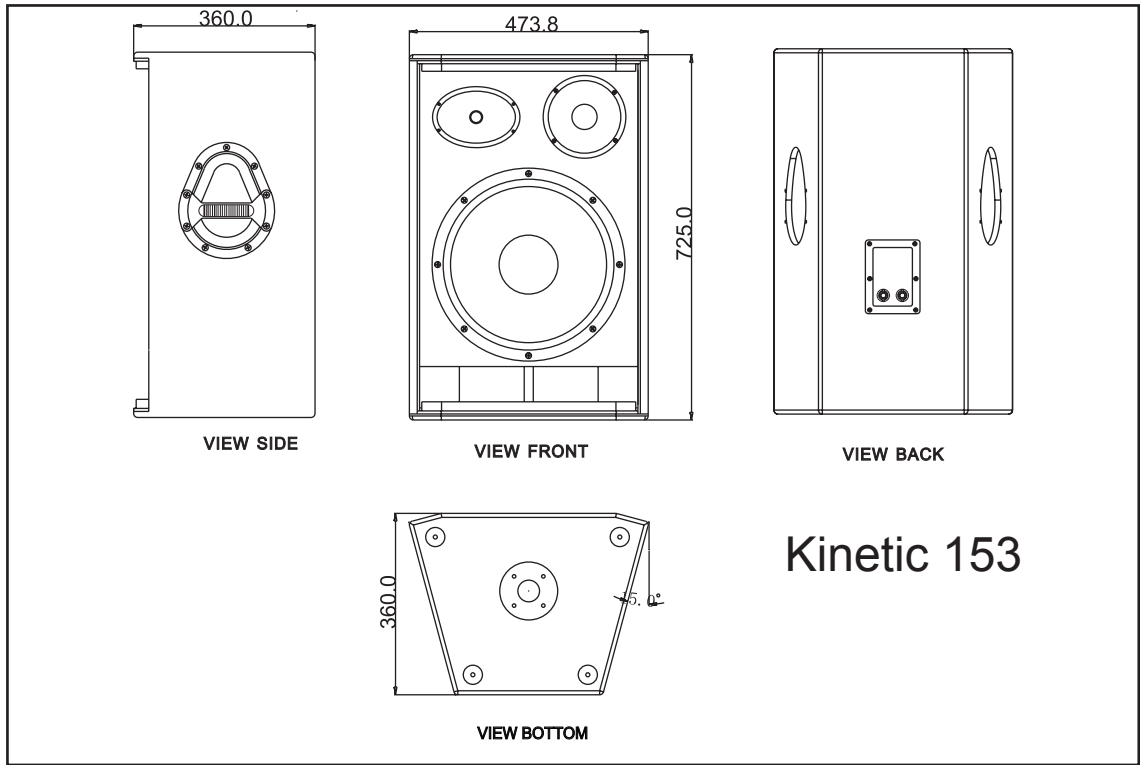


Kinetic Series

DIMENSIONS



DIMENSIONS



SPECIFICATIONS

Model	Kinetic 8	Kinetic 12	Kinetic 12M	Kinetic 15
Configuration	2-way	2-way	2-way monitor	2-way
Frequency Response (±3dB)	70-20kHz	60-20KHz	60-20kHz	50-20KHz
Power Handling				
Continuous	150W	200W	200W	250W
Programme	300W	400W	400W	500W
Peak	600W	800W	800W	1000W
Nominal Impedance	4Ω	4Ω or 8Ω	4Ω or 8Ω	4Ω or 8Ω
Sensitivity (1W @ 1m)	96dB	96dB	96dB	97dB
Max SPL (Calculated)	124dB	125dB	125dB	127dB
Nominal Horizontal Coverage (@1kHz)	90°	90°	90°	90°
Nominal Vertical Coverage (@1kHz)	60°	60°	60°	60°
LF Size	205mm / 8"	305mm / 12"	305mm / 12"	381mm / 15"
LF Voice Coil	1.53"	2.0"	2.0"	2"
LF Driver Number	L01-07010129A	L01-07010130A	L01-07010130A	L01-07010131A
HF Voice Coil	25.4mm / 1"	25.4mm / 1"	25.4mm / 1"	25.4mm / 1"
HF Waveguide Type	Elliptical	Elliptical	Elliptical	Elliptical
HF Waveguide Exit	30.5mm / 1.2"	30.5mm / 1.2"	30.5mm / 1.2"	30.5mm / 1.2"
HF Diaphragm Material	Phenolic	Phenolic	Phenolic	Phenolic
HF Protection	PTC	PTC	PTC	PTC
HF Driver number	ZD-53200-01R	ZD-53200-01R	ZD-53200-01R	ZD-53200-01R
MF Size	-	-	-	-
MF Voice Coil	-	-	-	-
MF Driver Number	-	-	-	-
Enclosure Material and Thickness	12mm / 0.5" particle	12mm / 0.5" particle	12mm / 0.5" particle	12mm / 0.5" particle
Enclosure Finish	Black Carpet	Black Carpet	Black Carpet	Black Carpet
Grille Material & Finish	1.0mm Steel	1.2mm Steel	1.2mm Steel	1.2mm Steel
Pole Mount	35mm / 1 3/8"	35mm / 1 3/8"		35mm / 1 3/8"
Handles	2 On Sides	2 On Sides	1 On Sides	2 On Sides
Input Connector Type	2x Speakon + 1/4" Jack	2x Speakon + 1/4" Jack	2x Speakon + 1/4" Jack	2x Speakon + 1/4" Jack
HPF Output Connector Type				
Net Weight	7.84 Kg 17.3 lbs	12.28 Kg 27 lbs	11.5 Kg 25.3 lbs	17.02 Kg 37.4 lbs
Gross Weight	8.8 Kg 19.4 lbs	13.8 Kg 30.4 lbs	13.7 Kg 30.1 lbs	18.8 Kg 41.4 lbs
Dimensions (Unpacked)				
H	429mm / 16.9"	525mm / 20.7"	380(SITU)mm / 14.96"	618mm / 24.3"
W	272.2/149.6mm / 10.7"/5.9"	362.2/210.1mm / 14.3"/8.27"	366 / 14.4"	437.4/273.5mm / 17.2"/10.77"
D	253mm / 9.96"	308mm / 12.13"	525mm / 20.7"	330mm / 12.99"
Dimensions (Packed)				
H	482mm / 18.97"	586mm / 23.07"	413mm / 16.26"	680mm / 26.77"
W	299/166mm / 11.8"/6.54"	426/242mm / 16.8"/9.53"	568mm / 22.36"	502/304mm / 19.76"/11.97"
D	278mm / 10.9"	348mm / 13.7"	386mm / 15.2"	370mm / 14.57"
Volume	0.031m ³	0.068m ³	0.09m ³	0.1m ³

OPERATING MANUAL AND USER GUIDE

Model	Kinetic 153	Kinetic 215	Kinetic 18B
Configuration	3-way	Quasi 3-way	Subwoofer
Frequency Response ($\pm 3\text{dB}$)	50-20kHz	45-20kHz	45-250Hz
Power Handling			
Continuous	300W	300W	300W
Programme	600W	600W	600W
Peak	1200W	1200W	1200W
Nominal Impedance	4 Ω	4 Ω	4 Ω
Sensitivity (1W @ 1m)	98dB	100dB	98dB
Max SPL (Calculated)	129dB	131dB	129dB
Nominal Horizontal Coverage (@1kHz)	90°	90°	-
Nominal Vertical Coverage (@1kHz)	60°	60°	-
LF Size	381mm / 15"	381mm / 15"	470mm / 18"
LF Voice Coil	2"	1.5"	2.5"
LF Driver Number	L01-07010131A	ZD-05400-01R	L01-07010028A
HF Voice Coil	25.4mm / 1"	25.4mm / 1"	-
HF Waveguide Type	Elliptical	Elliptical	-
HF Waveguide Exit	30.5mm / 1.2"	30.5mm / 1.2"	-
HF Diaphragm Material	Phenolic	Phenolic	-
HF Protection	PTC	PTC	-
HF Driver number	ZD-53200-01R	ZD-53200-01R	-
MF Size	165mm / 6.5"	-	-
MF Voice Coil	25.4mm / 1"	-	-
MF Driver Number	ZD-24100-01R	-	-
Enclosure Material and Thickness	12mm / 0.5" particle	12mm / 0.5" particle	15mm / 0.59" particle
Enclosure Finish	Black Carpet	Black Carpet	Black Carpet
Grille Material & Finish	1.2mm Steel	1.2mm Steel	1.2mm Steel
Pole Mount	35mm / 1 3/8"		35mm / 1 3/8"
Handles	2 On Sides	2 On Sides	2 On Sides
Input Connector Type	2x Speakon + 1/4" Jack	2x Speakon + 1/4" Jack	2x Speakon + 1/4" Jack
HPF Output Connector Type	-	-	1x Speakon + 1/4" Jack
Net Weight	21.5 Kg 47.3 lbs	25.4 Kg 55.9 lbs	28.74 Kg 63.2 lbs
Gross Weight	23.9 Kg 52.5 lbs	29.2 Kg 64.2 lbs	31.6 Kg 69.5 lbs
Dimensions (Unpacked)			
H	725mm / 28.54"	1004mm/39.53"	512mm / 20.16"
W	473.8/293.7mm / 18.65"/11.56"	437.4/273.5mm/17.22"/10.78"	640mm / 25.19"
D	360mm / 14.17"	330mm/12.99"	437mm / 17.2"
Dimensions (Packed)			
H	786mm / 30.95"	1172mm/46.14"	579mm / 22.79"
W	538/324mm / 21.18"/12.76"	538/324mm/21.18"/12.76"	686mm / 27.0"
D	400mm / 15.75"	400mm/15.75"	483mm / 19.0"
Volume	0.136m ³	0.20m ³	0.192m ³



Kinetic Series

WHARFEDALE PRO LIMITED WARRANTY

Wharfedale Pro products are warranted of manufacturing or material defects for a period of one year from the original date of purchase. In the event of malfunction, contact your authorized Wharfedale Pro dealer or distributor for information.

* Be aware that warranty details may differ from country to country. Contact your dealers or distributor for information. These terms do not infringe your statutory rights.





Wharfedale Professional

IAG HOUSE, Sovereign Court, Ermine Business Park Huntingdon, Cambs, PE29 6XU, England

www.wharfedalepro.com

Wharfedale Professional reserves the right to alter or improve specifications without notice.

All rights reserved © 2011 Wharfedale Pro. Wharfedale Pro is a member of the IAG Group.

