

### Montageanweisung / Instruction sheet

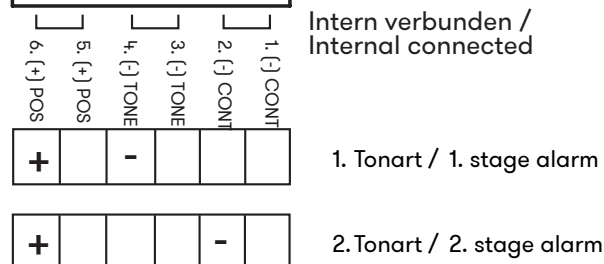
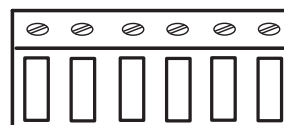
**ACHTUNG:** Schalten Sie den Strom während der Installation oder bei Wartungsarbeiten ab um einen elektrischen Schlag zu vermeiden. Prüfen Sie die Spannung und Frequenz der Stromquelle.

**ATTENTION:** Disconnect from power source to prevent electrical shock before installing or servicing. Check power supply voltage and frequency.

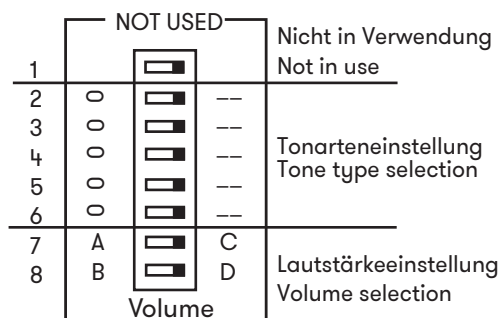
#### Technische Daten / Technical Data

Versorgungsspannung / nominal voltage	15 - 35 VDC
Nennstrom / nominal current	36 mA@ 24 VDC
Schutzart / Ingress protection	IP65
Schalldruck / sound level	Max.106 dB
Lautstärkeregelung / volume control	-20 dB
Temperaturbereich / temperature range	-20°C .. +70°C

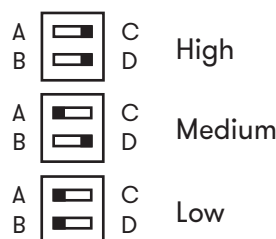
#### Elektrischer Anschluss / Electrical connection



#### Tonarteneinstellung / Tone type selection

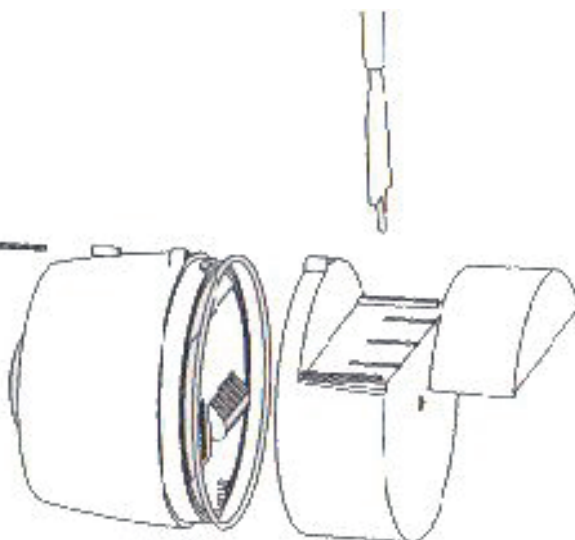


#### Lautstärkeeinstellung / Volume selection



#### Gehäuse für IP65 / Housing for IP65

Inbusschlüssel wird nicht mitgeliefert  
Allen key not supplied.



Bohrschablone auf Anfrage oder downloadbar auf Auer Webseite

Drilling template on request or downloadable on Auer Website

Tone table ES1/CS1

Nr.	Sound	Tone frequency	DIP-switch	2nd stage alarm [Hz]	Typical Current [mA]			Typical Sound Output [dBa]		
					L	M	H	L	M	H
1	LF Sweep	800 - 1000Hz @ 0.5 sec	11111	800 cont	7	12	18	86	101	106
2	Alternative warble BS standard	800/960Hz @ 2Hz	11110	800 cont	7	12	17	86	100	105
3	Warble Tone BS standard	800/1000Hz @ 0.5 sec	11101	800 cont	7	12	18	87	101	106
4	Alternative warble BS standard	500/600Hz @ 2Hz	11100	500 cont	6	10	13	84	99	102
5	HF Back up interrupted tone	2800Hz @ 1.0 sec on/off	11011	2800 cont	8	17	35	93	106	114
6	LF Back up Alarm	800Hz @ 150 msec on/off	11010	800 cont	6	9	12	80	95	99
7	HF Back up interrupted tone - fast	2800Hz @ 150 msec on/off	11001	800 cont	7	16	35	92	105	113
8	LF Continuous tone BS5839	800Hz cont	11000	Same tone	7	11	16	82	96	100
9	Sweep tone [1Hz]	800/900Hz @ 1Hz	10111	800 cont	7	12	19	87	101	106
10	Australian slow whoop	Intermittent 970Hz 0.625ms on/0.625ms off	10110	500-1200 3.75 sec on 0.25 sec off	7	12	18	87	101	106
11	Dutch sweep tone	970Hz cont	10101	500-1200 3.5 sec on 0.5 sec off	7	12	18	87	101	106
12	Anologue sweep tone	500/600Hz @ 2Hz	10100	500 cont	6	10	13	84	99	102
13	Sweep tone [3Hz]	800/970Hz @ 3Hz	10011	800 cont	7	12	17	85	100	105
14	Alternate HF slow sweep	2350/2900Hz @ 3Hz	10010	2400 cont	8	16	32	92	106	113
15	Fast HF sweep	2400-2800Hz @ 7Hz	10001	2400 cont	8	16	32	92	105	112
16	US Temporal Pattern LF	950Hz for 0.5 sec on 0.5 sec off x3 then 1.5 sec then repeat	10000	800 cont	6	11	13	86	100	104
17	Interrupted tone BS standard	Interrupted tne 800Hz @ 0.5 sec on/off	01111	800 cont	6	9	12	81	96	100
18	ISO 8201 LF BS5839 Pt 1 1988	Intermittent 970Hz 500ms on/500ms off	01110	Same tone	6	11	13	87	101	106
19	Interrupted tone medium	1000Hz @ 0.25 sec on/off	01101	800 cont	6	9	12	86	101	105
20	ISO8201 HF	Intermittent 970Hz 500 ms on /500 ms off	01100	Same tone	7	16	35	92	105	113
21	Continuous tone	1000Hz continuous	01011	Same tone	7	12	19	87	101	106
22	LF Buzz	800-950Hz swept @ 110Hz	01010	800 cont	7	12	17	86	100	105
23	HF Continuous	2800Hz	01001	2800 cont	8	17	35	93	106	114
24	Sweep tone [9Hz]	800-970Hz @ 9Hz	01000	800 cont	7	12	17	86	101	105
25	German DIN tone	Sweep 1200-500Hz @ 1Hz	00111	800 cont	7	11	17	85	100	104
26	Swedish Fire signal	Intermittent 660Hz 150 ms on / 150 ms off	00110	Same tone	6	8	11	82	97	101
27	French tone AFNOR	554Hz for 100 ms and 440Hz for 400ms	00101	800 cont	6	9	12	83	99	102
28	Swedish all clear signal	Continuous 660Hz	00100	Same tone	6	10	15	83	98	102
29	US Temporal Pattern HF	2900Hz for 0.5 sec on 0.5 off x3, off for 1.5 sec then repeat	00011	2900 cont	8	12	31	92	105	113
30	Siren 2 way ramp [short]	500/1200Hz rising then falling 0.25 sec	00010	800 cont	7	11	15	85	99	103
31	FP 1063.1 - Telecom	Alternating tone 800/970 Hz @ 2Hz	00001	800 cont	7	12	17	86	101	105
32	Siren 2 way ramp [long]	500/1200Hz 3 sec rising / 3 sec falling	00000	800 cont	7	12	19	87	101	105